

SINGER
46K10,K14

FORM K 500.
Nov., 1924.
Supersedes Forms K 467 and K 430.

ILLUSTRATED
PRICE LIST OF PARTS
FOR
NOS. 46K10 TO 46K14
MACHINES.
(PRIX-SEAM.)

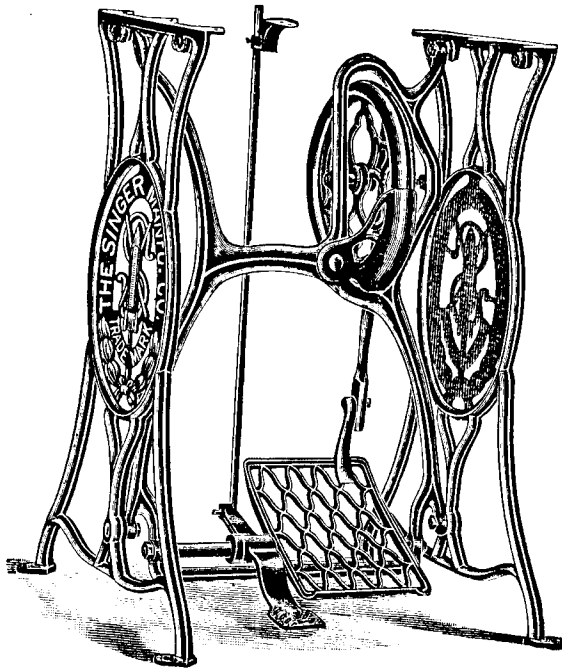


The Singer Manufacturing Co.

1904.

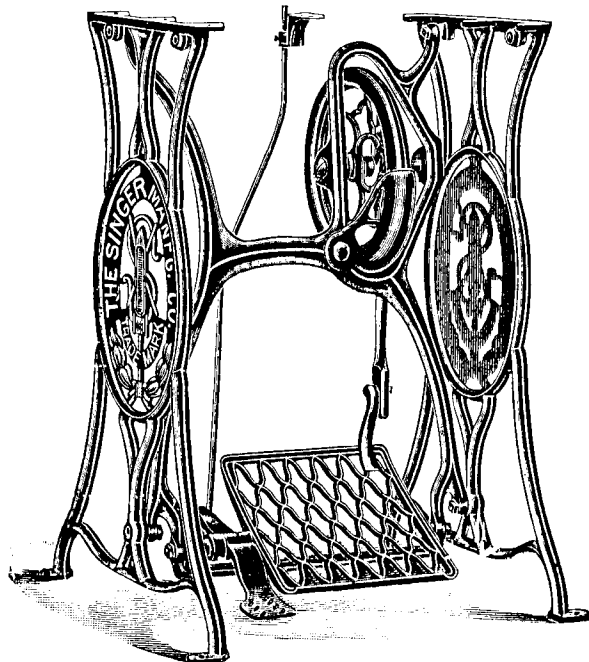
PLATE 150.

82837



STAND, with 10" Heavy Band Wheel, and fitted with Foot Lifter.

82844

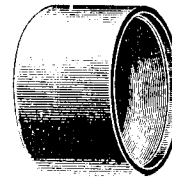


STAND, with 10" Heavy L.W., Ball-Bearing Crank Shaft, and fitted with Foot Lifter.

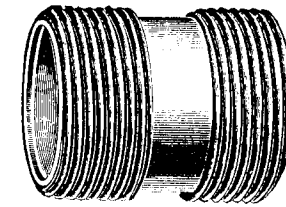
PLATE 153.

FULL SIZE.

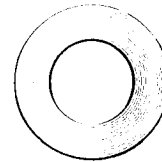
025353



025355



025306 025303



972



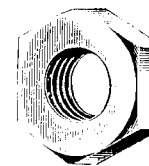
354



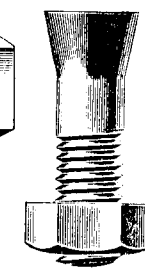
297



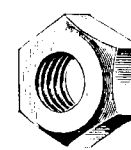
1507



506



1510



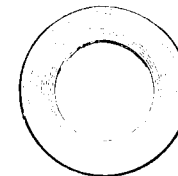
558



1570 025075



011742



07958



From the library of: Diamond Needle Corp

PLATE 368.

HALF SIZE.

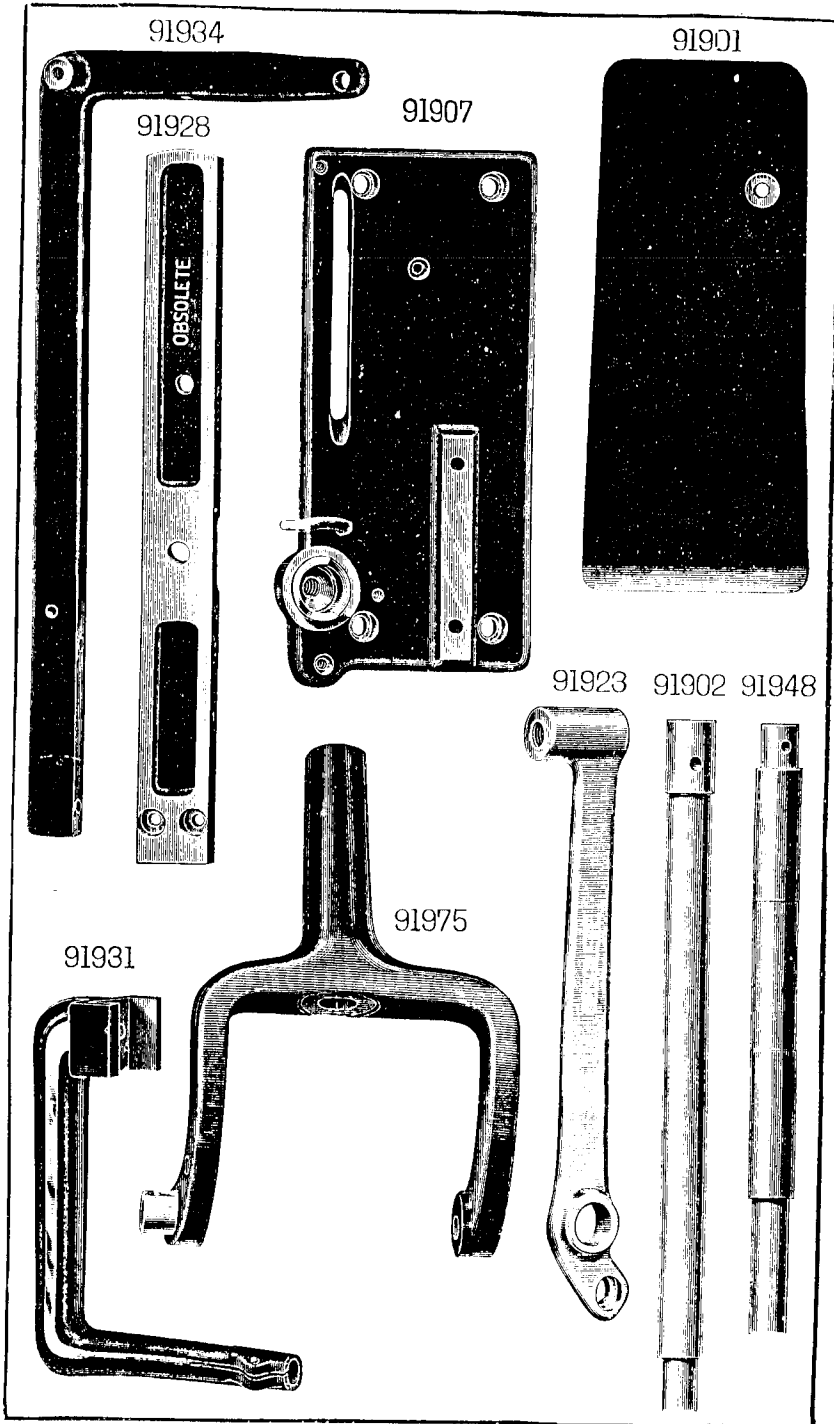
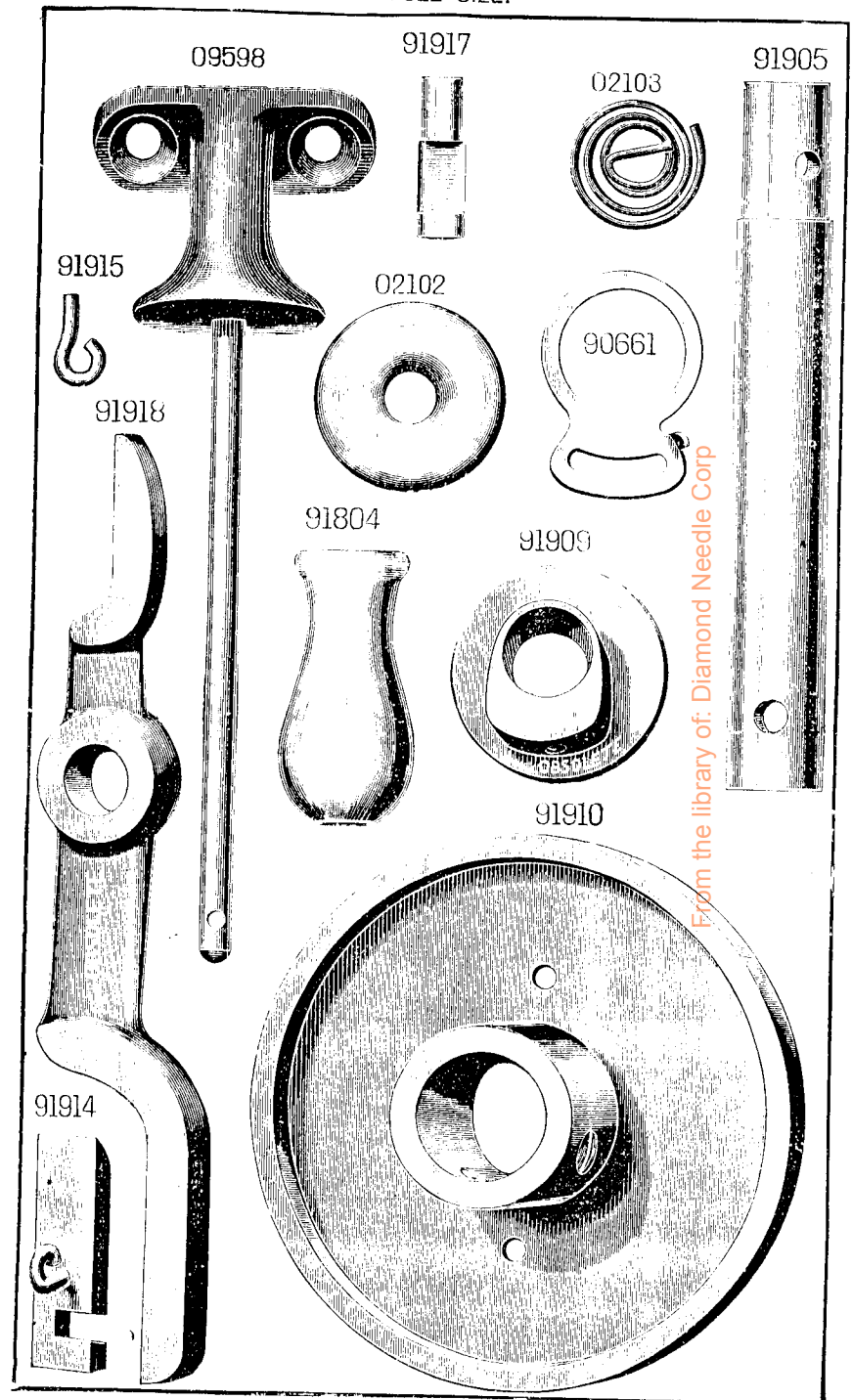


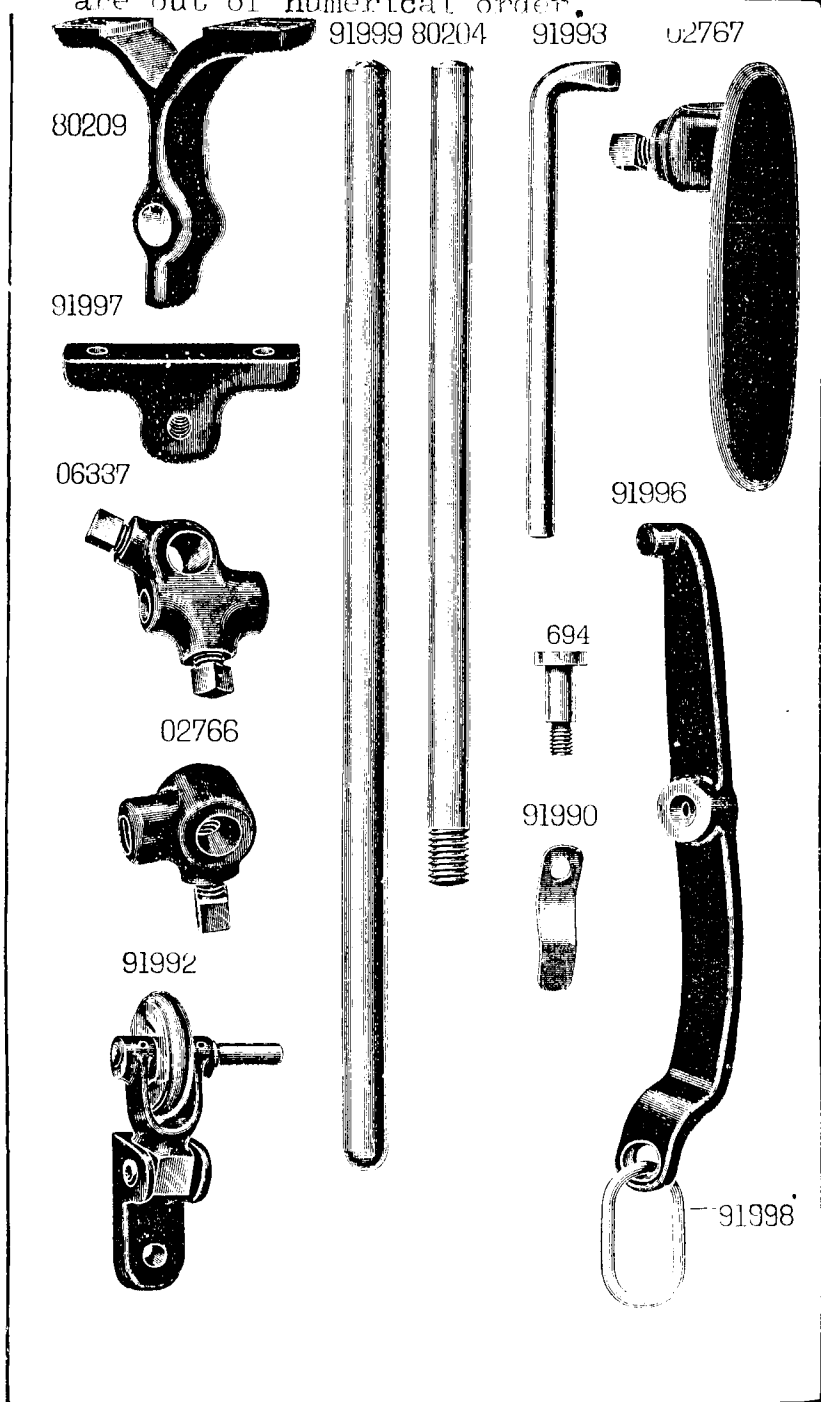
PLATE 369.

FULL SIZE.



From the library of: Diamond Needle Corp

Please note that Plate Nos 370 and 378 are out of numerical order.



FULL SIZE.

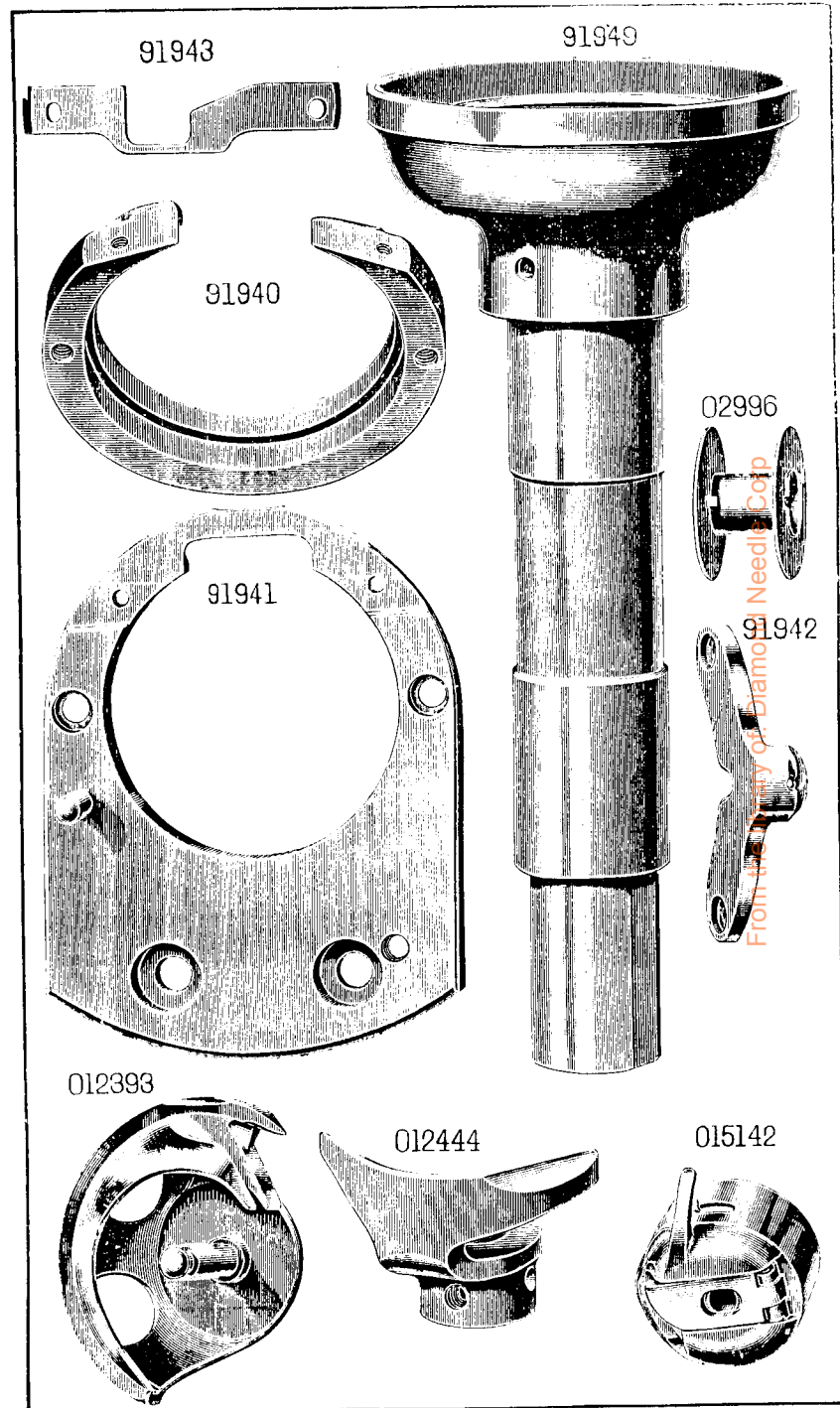


PLATE 372.

FULL SIZE.

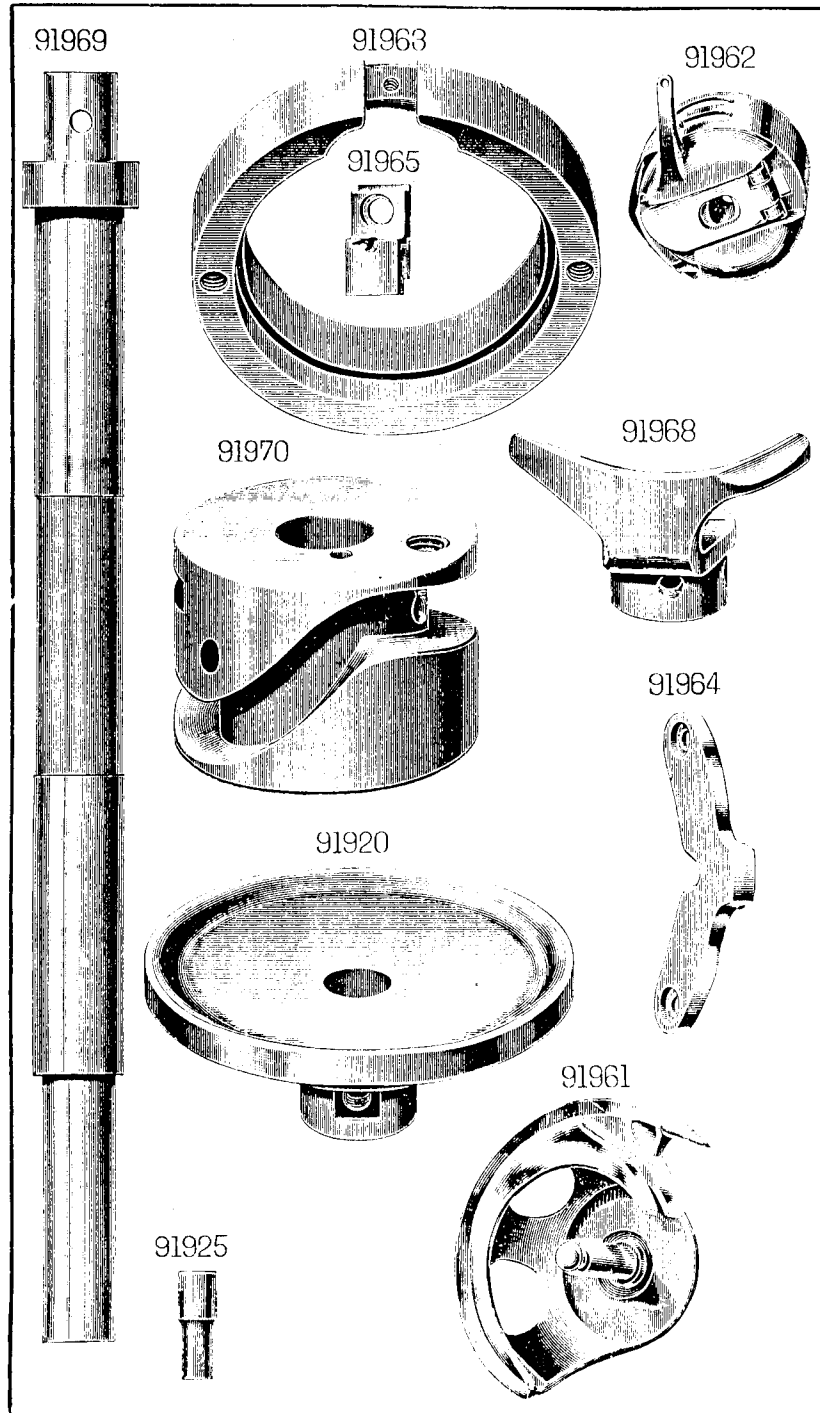


PLATE 373.

FULL SIZE.

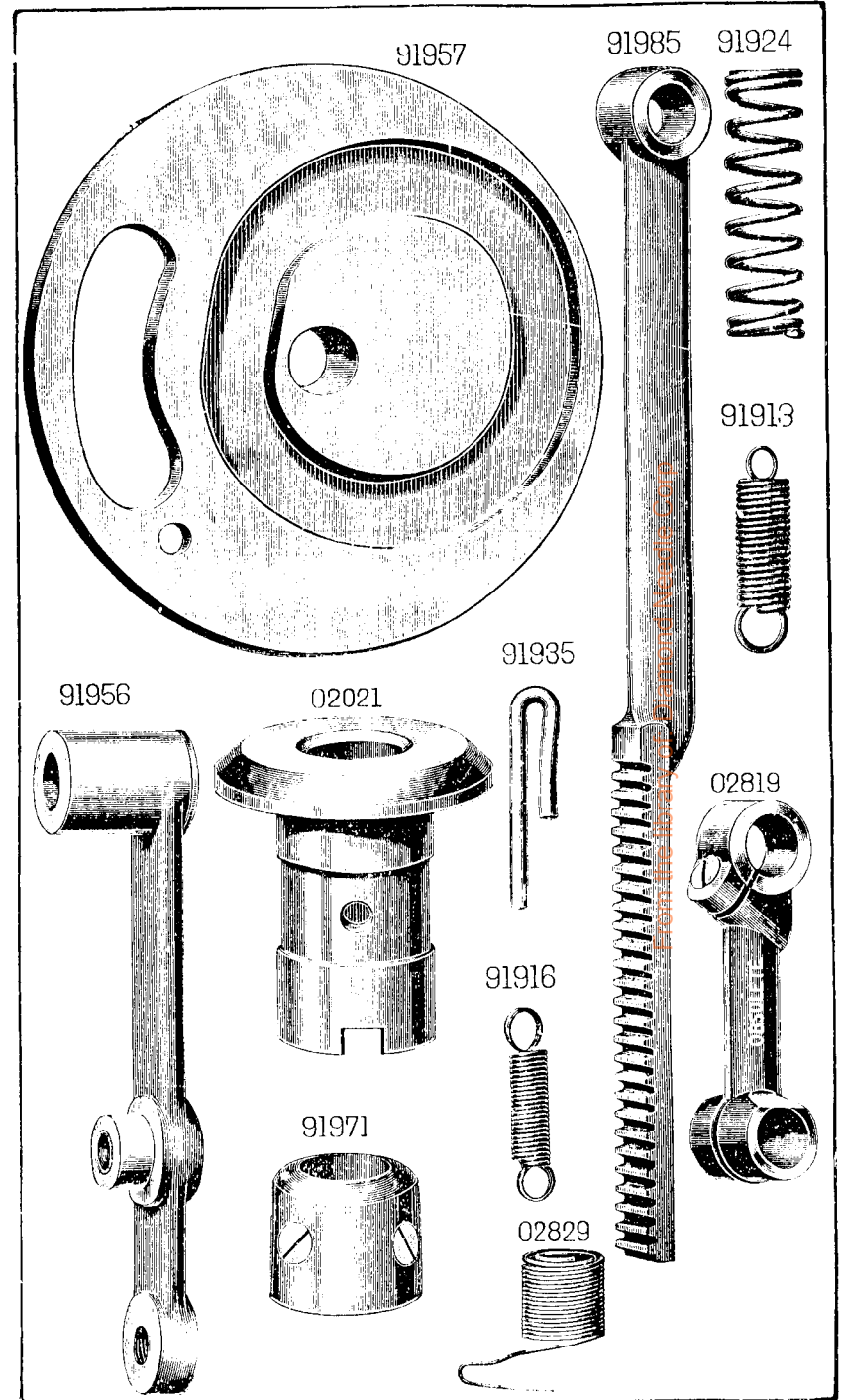


PLATE 374.

FULL SIZE.

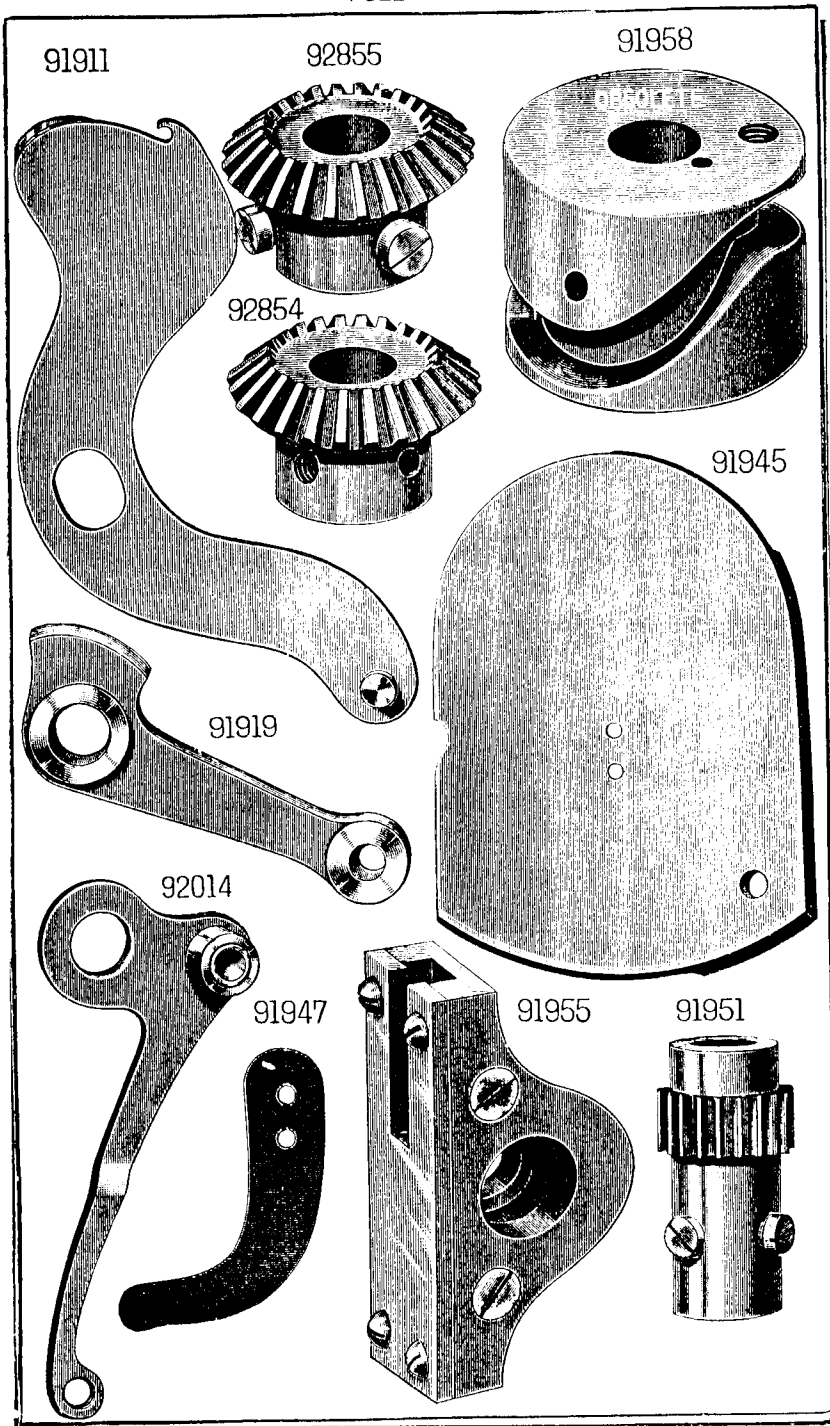


PLATE 375

FULL SIZE.

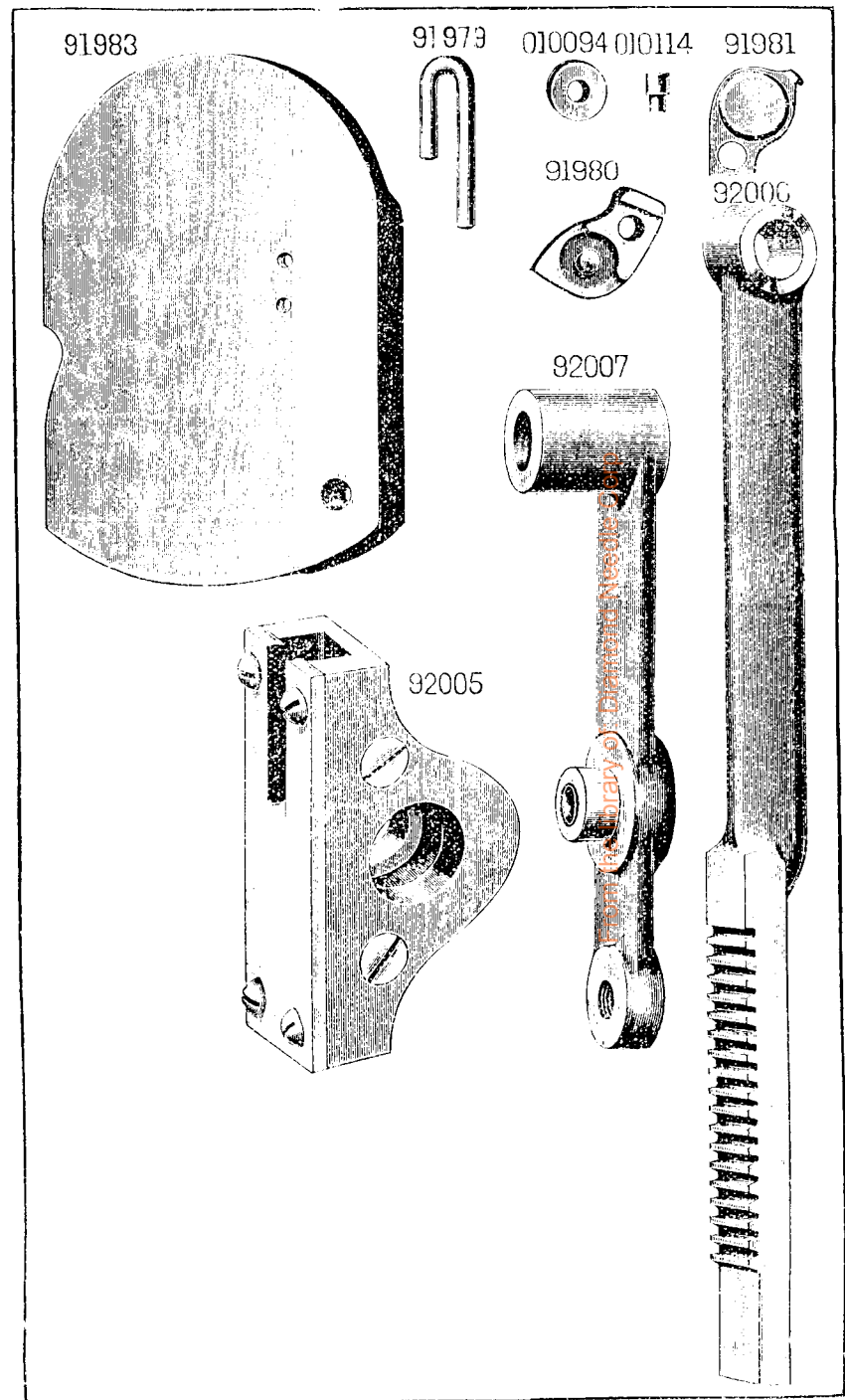


PLATE 370.

FULL SIZE.

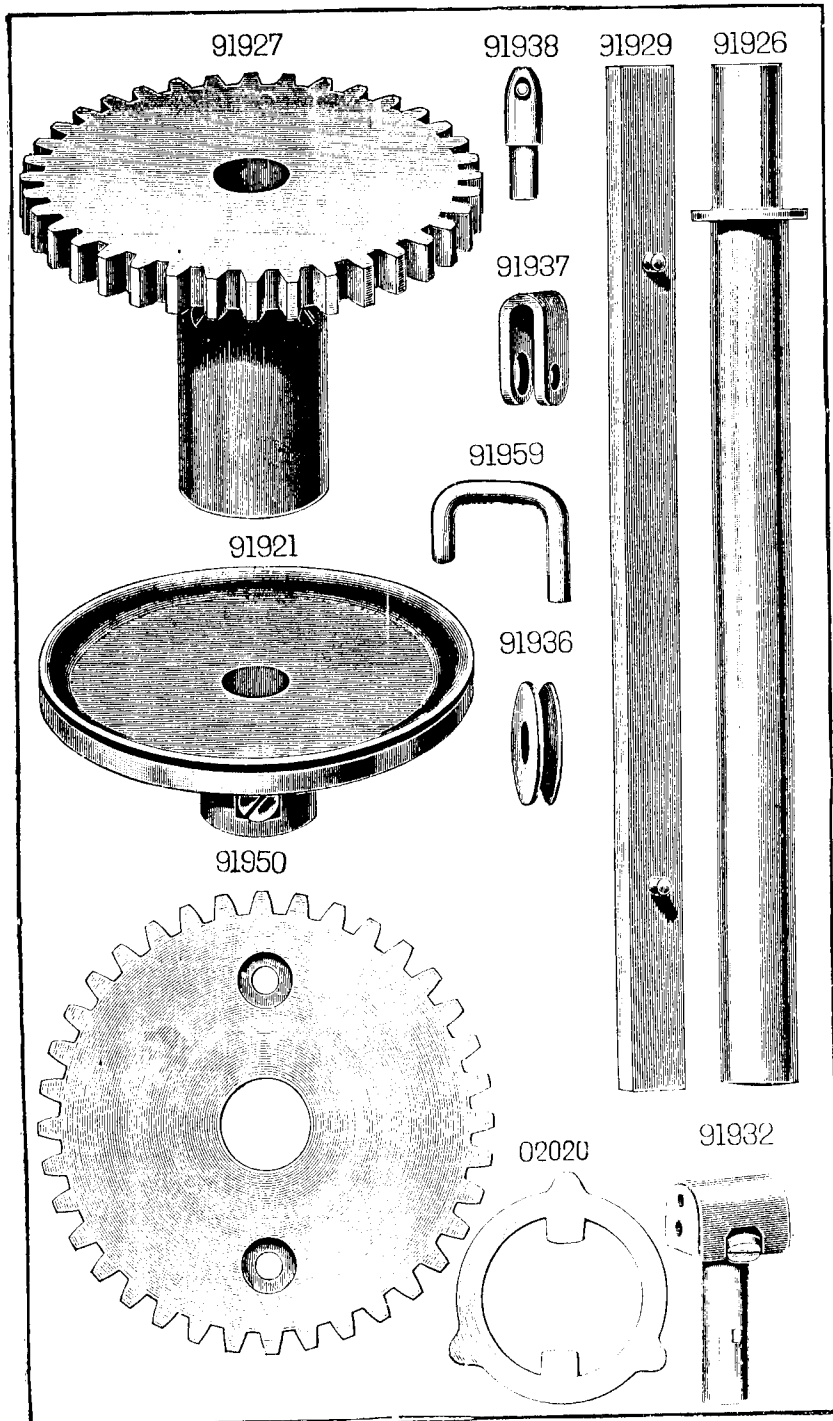


PLATE 379.

FULL SIZE.

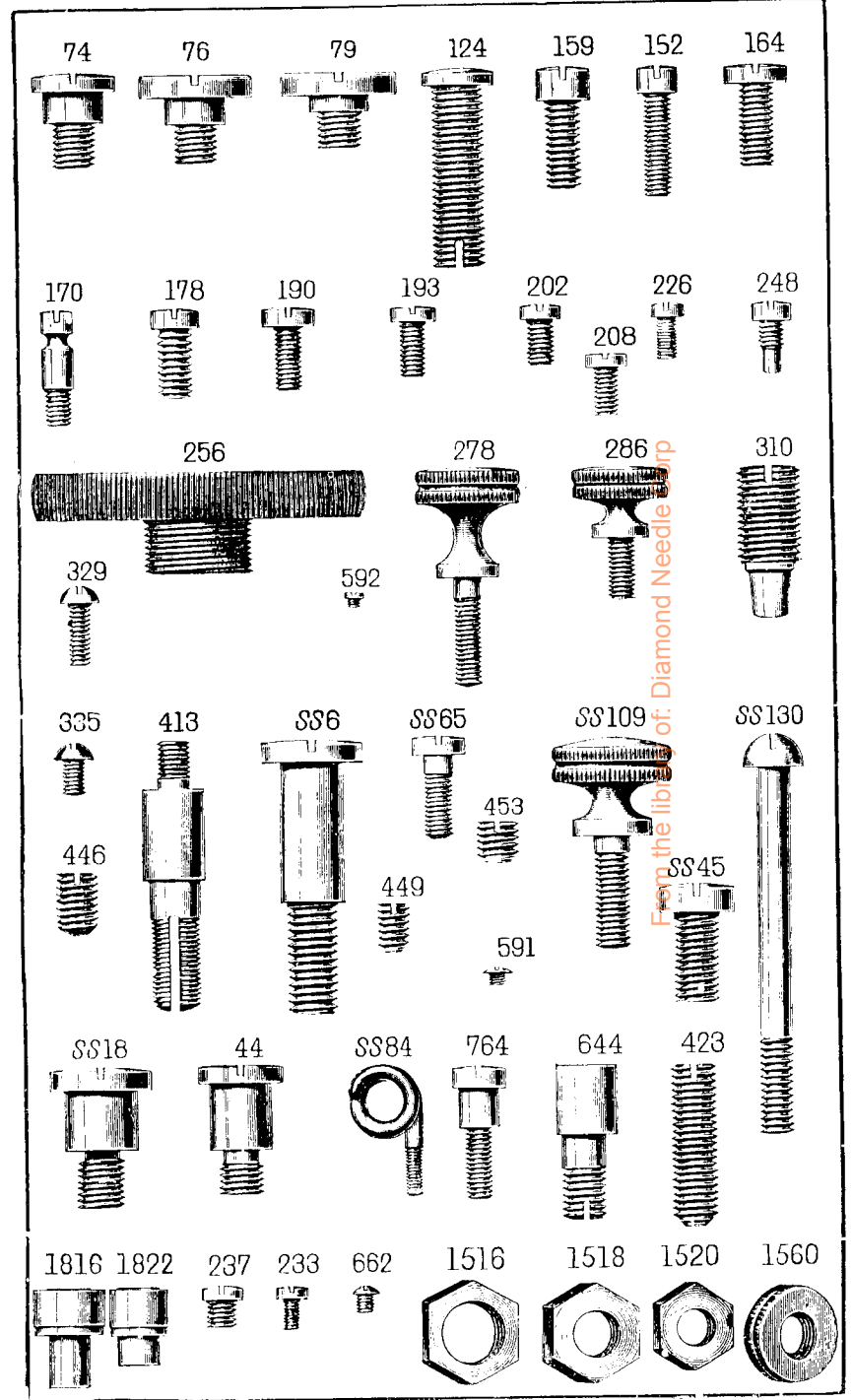


PLATE 380.

82827

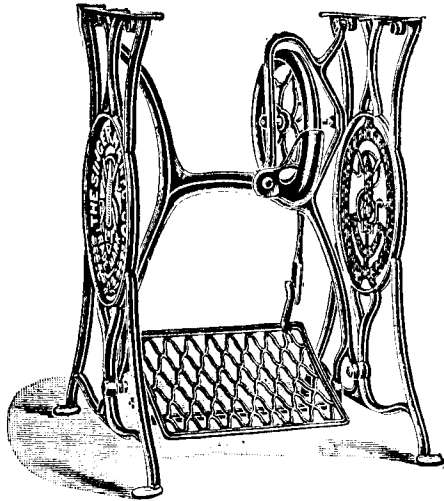
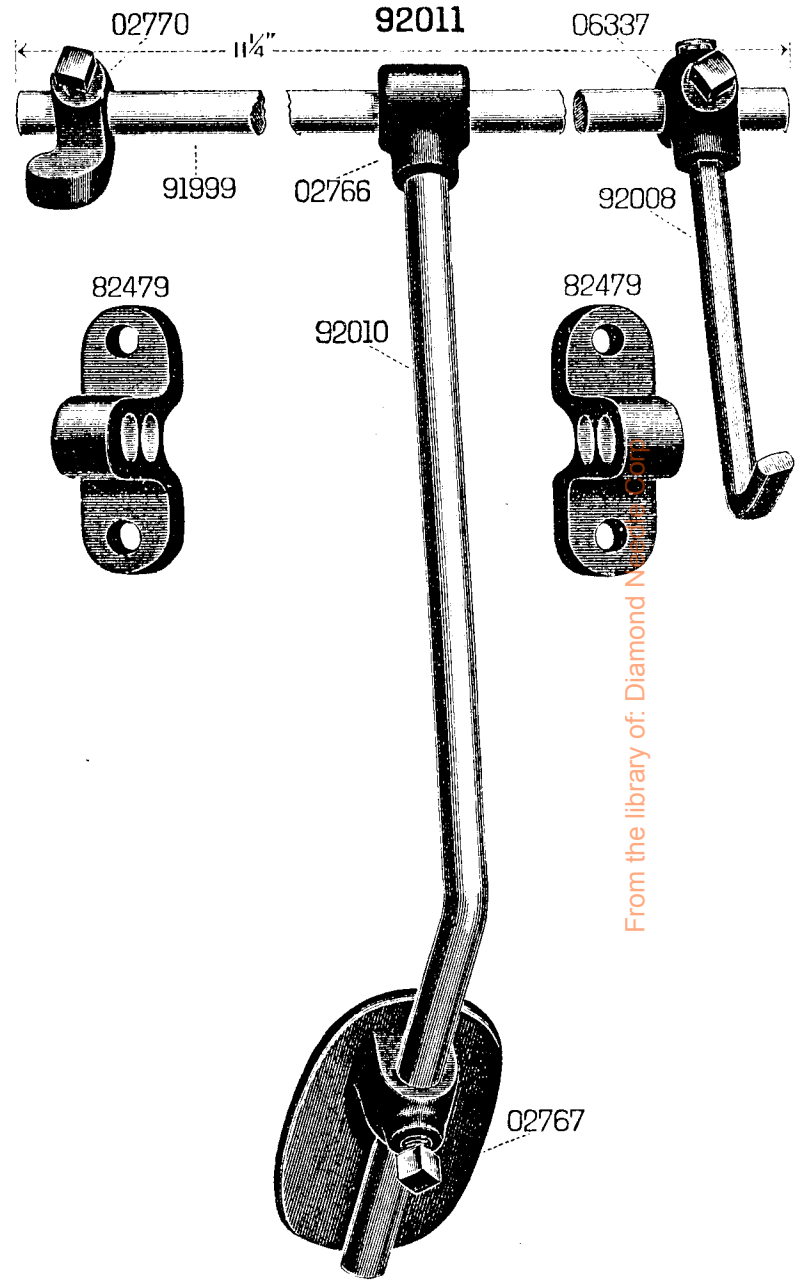


PLATE 753.
HALF SIZE.



ILLUSTRATED
PRICE LIST OF PARTS

FOR

Nos. 46 K 10 to 46 K 14 Machines.

(PRIX-SEAM.)

From the library of: Diamond Needle Corp

CONTENTS.

	PAGES
PARTS, Complete, for Nos. 46 K 10 and 46 K 11 Machines (obsolete) superseded by 46 K 13 and 46 K 14, - - - - -	5 to 10
" Special, to No. 46 K 12 Machine (obsolete), - - - - -	10
" Complete, for Nos. 46 K 13 and 46 K 14 Machines, - - - - -	11 to 16
ACCESSORIES, - - - - -	16
ROBBIN WINDER, - - - - -	17
KNEE LIFTER PARTS, - - - - -	18
STANDS, - - - - -	19 to 22
NUMERICAL LIST OF PARTS, - - - - -	23 to 32

Needles Best Adapted

FOR THE

Nos. 46 K 10 to 46 K 14 MACHINES.

MACHINES.	NEEDLES.	REMARKS.
46 K 10 to 46 K 14	46 43	

From the library of: Diamond Needle Corp

ILLUSTRATED PRICE LIST OF PARTS FOR Nos. 46K10 to 46K14 Machines. (PRIX-SEAM.)

In ordering from this List, use **ONLY** the **PART** number as it appears in the first column.

Each Number always indicates the **SAME PART** in whatever List it appears, or for whatever Machine.

The letters after some of the Numbers indicate the style of finish only, as follows:

- A. Hardened, Polished and Plated.
- B. Polished and Plated.
- C. Hardened only.
- D. Polished only.
- E. Soft, not Polished.

These letters **MUST BE USED** when they appear in the List, and **AFTER** the number, as in the List.

In this series

- 1 to 1500 are Screw Numbers.
- 1501 to 1800 are Nut "
- 1801 to 2000 are Roller "
- 02001 and upwards are Numbers of Machine Parts.

The prefix *SS* indicates Screws made only at Kilbowie.
 " " *AV* " Nuts made only at Kilbowie.
 " " *RR* " Rollers and Studs made only at Kilbowie.

An "0" prefixed to a Part indicates that it is common to Eport and Kilbowie Factories, but of Kilbowie manufacture.

Parts numbered from 80001 upwards are made only at Kilbowie.

The figures in the second column refer only to the plates illustrating the parts, and are **NOT TO BE USED** in ordering.

PARTS COMPLETE FOR Nos. 46 K 10 & 46 K 11 Machines.

WHEEL FEED, C.B. SHUTTLE, FOR GLOVE WORK (PRIX-SEAM).
(OBSOLETE).

(Superseded by Nos. 46 K 13 and 46 K 14 Mchs.)

No.	Plate.	Part	Old No.	Price.
91900	—	Arm	1	—
SS 45E	379	" Screw (4)	—	1 1/2
91901	368	Arm Side Cover	2	—
286b	379	" " " Thumb Screw	—	5
91902	368	Arm Shaft (Upright)	3	2 6
92854	374	" " Bevel Gear	5/48 K	1 0
92855	374	" " " " 92854, with two 178c	5A/ "	1 3
178c	379	" " " " Set Screw	—	1 1/2
91903	—	" " Collar, with two 453c	77/12 K	3
453c	379	" " " Set Screw	—	1
91904	—	Balance Wheel (3 1/2" hub)	8	4 6
91904b	—	" " (3 1/2" ")	8A	5 6
91804	369	" " Handle	16 1/16 K I	2
SS 130b	379	" " " Screw	—	3
91905	369	Balance Wheel Shaft	5	1 6
92854	374	" " " Bevel Gear	5/48 K	1 0
92855	374	" " " " 92854, with two 178c	5A/ "	1 3
178c	379	" " " " Set Screw	—	1 1/2
02049	—	" " " " Pin	50/15 K	1/2
91906	—	Bed	7	—
02019	—	Clamp Stop Motion, complete, Nos. 248A, 256D, 02020, and 015152	9A/15 K	3 0
02019b	—	" " " " Nos. 248A, 256B, 02020, and 015152	9A/ "	3 0
02021	373	" " " Flanged Bushing	9B/ "	1 5
015152	—	" " " " 02021, with two 462c	—	1 5
462c	—	" " " " Set Screw	—	1
80270	—	" " " " Pin	9c/15 K	1/2

From the library of: Diamond Needle Corp

No.	Plate.		Old No.	Price.
256B	379	Clamp Stop Motion Clamp Screw	—	1 3
256D	379	" " " " "	—	1 3
248A	379	" " " " Stop Screw	—	1
02020	370	" " " " Washer	9D/15 K	2½
91907	368	Face Plate	9	3 0
150B	379	" " Screw (4)	—	1½
159D	379	" " " (4)	—	1½
SS 84B	379	" " Thread Guide (Screwed)	—	3
SS 84D	379	" " " " " "	—	3
91908	—	Face Plate, complete, Nos. 170D, 233D, 413, SS8/D, 1560D, 02103, 02829, 84113, 90661, 91907, 91959, and two 02102	—	5 0
91908B	—	Face Plate, complete, Nos. 170B, 233B, 413, SS8/B, 1560B, 02103, 02829, 84113, 90661, 91907, 91959B, and two 02102	—	5 0
91909	369	Feed Cam, with 449c	10	2 6
449c	379	" " Set Screw	—	1
91910	369	Feed Friction Wheel, with two 454c	13	3 6
454c	—	" " " Set Screw	—	1
91911	374	" " " Driver, with 91912, two each 80095 and 80096	14	2 0
80095	—	" " " Collar	8A/13K W.F.	2
80096	—	" " " Rivet	8B/7 "	½
76D	379	" " " Hinge Screw	—	3
91912	—	" " " Pin	15	4
91913	373	" " " Spring	16	2
170B	379	" " " Screw Stud	—	2
170D	379	" " " " " "	—	2
91914	369	" " " Retaining Clutch, with 91915	17	1 3
91915	369	" " " " " Spring Staple	18	1
91916	373	" " " " " Spring	19	2
193c	379	" " " " " Screw	—	1½
91917	369	" " " " " Stud	20	6
91918	369	Feed Fulcrum Lever	11	2 6
SS 18D	379	" " " Hinge Screw	—	3
91919	374	Feed Regulator	12	2 0
74D	379	" " " Hinge Screw	—	4
SS 109B	379	" " " Thumb Screw	—	1
SS 109D	379	" " " " " "	—	1
91920	372	Feed Roll (Plain), with 454c	21	6 0
91921	370	" " (Grooved) with 454c	21A	7 0
454C	—	" " Set Screw	—	1
91922	—	" " Rocking Frame	23	7 0

No.	Plate.		Old No.	Price.
310c	379	Feed Roll Rocking Frame Screw Centre	—	4
1516E	379	" " " " " " Nut	—	2½
91923	368	" " " " " Lever (for Bed)	26	1 6
91923B	368	" " " " " " " "	26	1 6
164D	379	" " " " " " Screw	—	2
91924	373	" " " " " " Spring	27	2
124c	379	" " " " " " Adjusting Screw	—	4
1518A	379	" " " " " " " " Nut	—	2
91925	372	" " " " " " " Pin	28	2 0
91926	370	" " " Shaft	21	2 0
91927	370	" " " Gear, with two 449c	25	2 6
449c	379	" " " " " Set Screw	—	1
91928	368	Needle Bar	29	2 6
91929	370	" " " Gib, with two 91930	29	1 0
91930	—	" " " Position Pin	31	2
423c	379	" " " Adjusting Screw	—	2½
1520E	379	" " " " " Nut	—	1½
02819	373	Needle Bar Connecting Link, with 794c	—	2 0
794c	—	" " " " " Adjusting Screw	—	2½
570c	—	" " " " " Hinge Screw	—	4
1520E	379	" " " " " " Nut	—	1½
91931	368	Needle Bar Overhanging Needle Arm, with 193D	32	3 0
193D	379	" " " " " " Clamp Screw	—	1½
SS 65D	379	" " " " " " Screw (2)	—	1
91932	370	" " " " " " Clamp, with 208D and 91933	33	2 0
91932B	370	" " " " " " with 208D and 91933	33	2 0
91933	—	" " " " " Position Pin	31	2
208D	379	" " " " " " Screw	—	1
91934	368	Overhanging Arm (Stationary)	38	2 6
SS 65D	379	" " " " " Screw (2)	—	1
91935	373	" " " " " Thread Guide	39	1
91935B	373	" " " " " " " "	39	1
335B	379	" " " " " " " Screw	—	1
335D	379	" " " " " " " " "	—	1
91936	370	" " " " " " Roller	39A	1 0
91936B	370	" " " " " " " "	39A	1 0
91937	370	" " " " " " Support	40	1 0
91937B	370	" " " " " " " " "	40	1 0
764B	379	" " " " " " " " Screw	—	3
764D	379	" " " " " " " " " "	—	3
91938	370	" " " " " " Guide Stud	11	6
91938B	370	" " " " " " " " "	11	6
91939	—	Pillar	69	—
SS 15E	379	" " " " " " Screw (4)	—	1½

From the library of: Diamond Needle Corp

No.	Plate.		Old No.	Price
015100	—	Shuttle, 1½" diam. (02515), with 02996 and 015142	—	6 3
02515	—	" Body	—	3 0
02996	371	" Bobbin	—	2½
015142	371	" " Case, complete, Nos. 591, 592E, 02523, 02975, 015027, 015098, and 015141	—	3 0
015141	—	" " " Hinge, complete, Nos. 02973, 02974, and 015140	—	1 0
015140	—	" " " Latch	—	5
02973	—	" " " " Lever	—	5
02974	—	" " " " Fulcrum Pin per 100	—	5
02975	—	" " " " Spring	—	1
592E	379	" " " " Stop Screw	—	1
015027	—	" " " " Position Finger	—	2½
02523	—	" " " " Rivet per 100	—	1 0
015098	—	" Tension Spring	—	5
591	379	" " Regulating Screw	—	1
91940	371	Shuttle Race Body	42A	7 0
91941	371	" " Cap, with 91946	44	2 6
91941B	371	" " " " 91946B	41	2 6
211B	—	" " " " Screw	—	1
211D	—	" " " " " "	—	1
164B	379	" " " " Binding Screw	—	2
164D	379	" " " " " "	—	2
91942	371	" " " " Throat Plate	45	2 6
91942B	371	" " " " " "	45	2 6
233B	379	" " " " " " Screw	—	1
233D	379	" " " " " " " "	—	1
91943	371	" " " " Loop Spreader	43	9
662D	379	" " " " " " Screw	—	1
91944	—	Shuttle Race, complete, Nos. 91940 to 91943, two each 211B, 233D, and 662D	42	13 0
91944B	—	Shuttle Race, complete, Nos. 91940, 91941B, 91942B, 91943, two each 211B, 233B, & 662D	42	13 0
02542A	—	Shuttle Driver	—	3 0
02441	—	" " 02542A, with two 462C	71½/15 K	3 0
462C	—	" " Set Screw	—	1
02049	—	" " Pin	50½/15 K	½
91945	374	Shuttle Cover	46	2 0
91945B	374	" " " "	46	2 0
92002	—	" " 91945, with 91947 and two 662C	—	2 8
92002B	—	" " 91945B, with 91947 and two 662C	—	2 8
278B	379	" " Thumb Screw	—	5
278D	379	" " " " " "	—	5
91946	—	" " Stop Pin	47	2
91946B	—	" " " " " "	47	2
91947	374	" " Thread Retainer	48	6
662C	379	" " " " Screw	—	1

No.	Plate.		Old No.	Price.
91948	368	Shuttle Shaft	49	2 0
91949	371	" " and Feeding Disc Support	50	10 0
91949B	371	" " " " " " " "	50	10 0
91950	370	" " Feed Roll Gear	51	2 0
190D	379	" " " " " " Screw (2)	—	1½
91951	374	Shuttle Pinion, with two 237C	52	3 0
237C	379	" " Set Screw	—	1
91952	—	" " Case Side (Right)	—	—
91953	—	" " " " (Left)	—	2
145D	—	" " " " Screw	—	6
91954	—	" " " " Cap	54	6
329D	379	" " " " Screw	—	1
91955	374	" " " " complete, Nos. 91952 to 91954, two 145D and four 329D	53	4 6
91985	373	Shuttle Pinion "Rack" Gear	55	3 6
44D	379	" " " " Hinge Screw	—	5
91956	373	Shuttle Lever, with 1816	56	2 6
886D	379	" " " " Hinge Screw	—	1
1816	379	" " " " Roller and Stud	—	10
91957	373	Shuttle Lever Cam	57	5 0
152C	379	" " " " Set Screw	—	1½
09874	—	Spool Pin	—	3½
09875	—	" " Bracket	—	1
09598	369	" " " 09875, with 09874	—	7½
—	—	" " " Wood Screw (2), ½", No. 10 per doz.	—	—
413	379	Tension Screw Stud	—	5
1560B	379	" " " " Regulating Thumb Nut	—	2
1560D	379	" " " " " " " "	—	2
170B	379	" " " " Screwed Thread Pin	—	2
170D	379	" " " " " " " "	—	2
02102	369	Tension Disc	88½/15 K	2½
02103	369	" Spring	89½	1½
84113	—	" Washer (Leather)	154 C.F.	½
91958	374	Thread Take-up Cam, with 448C	59	4 0
02117	—	" " " " Pin	—	½
448C	—	" " " " Set Screw	—	1½
80125	374	Thread Take-up Lever, with 1822	90½/15 K	2 0
80125B	374	" " " " " "	90½	2 0
1822	379	" " " " Roller and Stud	—	10
79C	379	" " " " Hinge Screw	—	3

No.	Plate.		Old No.	Price.
02829	373	Thread Take-up Spring	--	1 1/2
90661	369	" " " Regulator	95c/15 K	2
233D	379	" " " " Screw	--	1
91959	370	" " " " Staple	58	1
91959B	370	" " " " "	58	1
08903	—	Wrench for 1519	99/16 K	4
04347	—	" for 1513	100s/ "	7 1/2

PARTS COMPLETE

FOR

Nos. 46 K 13 & 46 K 14 Machines.

WHEEL FEED, C.B. SHUTTLE, NEEDLE-BAR CAM-MOTION,
FOR GLOVE WORK (PRIX SEAM).

PARTS SPECIAL to No. 46 K 12 MACHINE.

WHEEL FEED, C.B. SHUTTLE REVERSED FOR COARSE LINEN THREAD,
FOR GLOVE WORK (PRIX SEAM).

(OBSOLETE.)

No.	Plate.		Old No.	Price.
91960	—	Shuttle (Solid), 1 1/8" diam., 91961, with 02996 and 91962	101	7 0
91961	372	" Body	102	3 6
04820	—	" Bobbin Case Position Finger	--	5
91962	372	" " " complete, Nos. 591, 592e, 02523, 02975, 04820, 015098, & 015141	103	3 6
91963	372	Shuttle Race Body	105	7 0
91964	372	" " Cap Throat Plate	106	2 6
91965	372	" " Needle Plate	107	1 6
233B	379	" " " " Screw	--	1
91966	—	Shuttle Race, complete, Nos. 91941b, 91943, 91963 to 91965, two each 211b, 622b and three 233b	104	14 6
91967	—	Shuttle Driver	--	2 6
91968	372	" " 91967, with two 462c	108	2 6
91969	372	Shuttle Shaft	109	2 0
91970	372	Thread Take-up Cam, with 448c	110	4 0

No.	Plate.		Old No.	Price.
91900	—	Arm	1	—
SS 15E	379	" Screw (4)	--	1 1/2
91901	368	Arm Side Cover	2	—
286D	379	" " " Thumb Screw	--	5
91902	368	Arm Shaft (Upright)	3	2 6
92854	374	" " Bevel Gear	5/18 K	1 0
92855	374	" " " " 92854, with two 178c	5A/ "	1 3
178c	379	" " " " Set Screw	--	1 1/2
91971	373	" " Collar, with two 453c	62	3
453c	379	" " " " Set Screw	--	1
91972	—	Balance Wheel (3 1/4" hub)	8c	4 6
91972B	—	" " (3 1/4" ")	8c	5 0
91804	369	" " Handle	16/16 K	2
SS 130D	379	" " " " Screw	--	3
1528E	—	" " " " Nut	--	1 1/2
91905	369	Balance Wheel Shaft	5	1 6
92854	374	" " " " Bevel Gear	5/18 K	1 0
92855	374	" " " " " 92854, with two 178c	5A/ "	1 3
178c	379	" " " " " " Set Screw	--	1 1/2
02040	—	" " " " " " Pin	50/15 K	1/2
91906	—	Bed	7	—
02019	—	Clamp Stop Motion, complete, Nos. 248A, 256D, 02020, and 015152	9A/15 K	3 0
02019B	—	" " " " " " Nos. 248A, 256B, 02020, and 015152	9A/ "	3 0
02021	373	" " " " Flanged Bushing	9B/ "	1 5
015152	—	" " " " " " 02021, with two 462c	--	1 5
462c	—	" " " " " " Set Screw	--	1
80270	—	" " " " " " Pin	9c/15 K	1/2

From the library of: Diamond Needle Corp.

No.	Plate.		Old No.	Price.
256B	379	Clamp Stop Motion Clamp Screw	---	1 3
256D	379	" " " " " "	---	1 3
248A	379	" " " " Stop Screw	---	1
0202D	370	" " " " Washer	9b/15 K	2½
91907	368	Face Plate	9	3 0
159B	379	" " Screw (4)	---	1½
159D	379	" " " (4)	---	1½
SS 84B	379	" " Thread Guide (Screwed)	---	3
SS 84D	379	" " " " " "	---	3
91908	---	Face Plate, complete, Nos. 170b, 233b, 413, SS 84D, 1560b, 02103, 02829, 84113, 90661, 91907, 91959, and two 02102	---	5 0
91908B	---	Face Plate, complete, Nos. 170b, 233b, 413, SS 84B, 1560b, 02103, 02829, 84113, 90661, 91907, 91959b, and two 02102	---	5 0
91973	376	Feed Cam, with 449c	10A	2 6
449c	379	" " Set Screw	---	1
91910	369	Feed Friction Wheel, with two 454c	13	3 6
454c	---	" " " " Set Screw	---	1
91911	374	" " " " Driver, with 91912, two each 80095 and 80096	14	2 0
80095	---	" " " " Collar	SA/EE K W F	2
80096	---	" " " " Rivet	AB ..	½
76D	379	" " " " Hinge Screw	---	3
91912	---	" " " " Pin	15	4
91913	373	" " " " Spring	16	2
170B	379	" " " " Screw Stud	---	2
170D	379	" " " " " "	---	2
91914	369	" " " " Retaining Clutch, with 91915	17	1 3
91915	369	" " " " Spring Staple	18	1
91916	373	" " " " Spring	19	2
193c	379	" " " " " Screw	---	1½
91917	369	" " " " Stud	20	6
91974	376	Feed Fulcrum Lever	11A	2 6
SS 18D	379	" " " " Hinge Screw	---	3
91919	374	Feed Regulator	12	2 0
74D	379	" " Hinge Screw	---	4
283B	---	" " Thumb Screw	---	5
283D	---	" " " "	---	5
91920	372	Feed Roll (Plain), with 454c	21	6 0
91921	370	" " (Grooved), with 454c	21A	7 0
454c	---	" " Set Screw	---	1
91975	368	" " Rocking Frame	25A	7 0
310c	379	" " " " Screw Centre	---	4
1516E	379	" " " " " Nut	---	2½

No.	Plate.		Old No.	Price.
91976	376	Feed Roll Rocking Frame Lever (for Bed)	26A	1 6
91976B	376	" " " " " " " "	26A	1 6
164D	379	" " " " " " Screw	---	2
91924	373	" " " " " " Spring	27	2
124c	379	" " " " " " Adjusting Screw	---	4
1518B	379	" " " " " " " " Nut	---	2
91925	372	" " " " " " " Pin	28	2
91926	370	" " Shaft	21	2 0
91927	370	" " " " Gear, with two 449c	25	2 6
449c	379	" " " " " Set Screw	---	1
91977	376	Needle Bar	29A	2 6
91929	390	" " Gib, with two 91930	30	1 0
91930	---	" " " " Position Pin	31	2
423c	379	" " " " Adjusting Screw	---	2½
1520B	379	" " " " " " Nut	---	1½
91978	376	Needle Bar Cam	63	2 6
SS 44c	---	" " " " Binding Screw (2)	---	1
91931	368	Needle Bar Overhanging Needle Arm, with 193D	32	3 0
193D	379	" " " " " " Clamp Screw	---	1½
SS 65D	379	" " " " " " " Screw	---	1
91932	370	" " " " " " Clamp, with 208D & 91933	33	2 0
91932B	370	" " " " " " " " 208D & 91933	33	2 0
91933	---	" " " " " " Position Pin	34	2
208D	379	" " " " " " " Screw	---	1
91934	368	Overhanging Arm (Stationary)	38	2 6
SS 65D	379	" " " " " " Screw (2)	---	1
91979	375	" " " " " " Thread Guide	39b	1
91979B	375	" " " " " " " "	39b	1
335B	379	" " " " " " " Screw	---	1
335D	379	" " " " " " " "	---	1
91980	375	" " " " " " Take-up, with 010114	S. K 5028	2 0
010094	375	" " " " " " Roller	---	1½
91981	375	" " " " " " " Cap	S. K 5029	1½
010114	375	" " " " " " " Pin	---	1½
171D	---	" " " " " " Binding Screw	---	1½
91982	---	" " " " " " " 91980, with 171D, 010094 and 91981	S. K 5030	2 3
91938	370	" " " " " " Guide Stud	11	6
91938B	370	" " " " " " " "	11	6
91939	---	Pillar	60	---
SS 45E	379	" " Screw (4)	---	1½
90697	---	Shuttle (Solid), 1½" diam., 012393, with 02996 and 015142	235 33K	7 0
012393	371	" " Body	---	3 0
02096	371	" " Bobbin	---	2½

No.	Plate.		Old No.	Price.
015142	371	Shuttle Bobbin Case, complete, Nos. 591, 592B, 02523, 02975, 015027, 015098, and 015141	—	3 0
015141	—	" " " " Hinge, complete, Nos. 02973, 02974, and 015140	—	1 0
015140	—	" " " " Latch	—	5
02973	—	" " " " Lever	—	5
02974	—	" " " " Fulcrum Pin, per 100	—	5
02975	—	" " " " Spring	—	1
592B	379	" " " " Stop Screw	—	1
015027	—	" " " " Position Finger	—	2½
02523	—	" " " " Rivet, per 100	—	1 0
015098	—	" " Tension Spring	—	5
591	379	" " Regulating Screw	—	1
91940	371	Shuttle Race Body	42A	7 0
91941	371	" " Cap, with 91946	41	2 6
91941B	371	" " " " 91946B	41	2 6
211B	—	" " " " Screw	—	1
211D	—	" " " " " "	—	1
164B	379	" " " " Binding Screw	—	2
164D	379	" " " " " "	—	2
91942	371	" " " " Throat Plate	45	2 6
91942B	371	" " " " " "	45	2 6
233B	379	" " " " " " Screw	—	1
233D	379	" " " " " " " "	—	1
91943	371	" " " " Loop Spreader	43	9
662D	379	" " " " " " Screw	—	1
91944	—	Shuttle Race, complete, Nos. 91940 to 91943, two each 211D, 233D, and 662D	42	13 0
91944B	—	Shuttle Race, complete, Nos. 91940, 91941B, 91942B, 91943, two each 211B, 233B, and 662D	42	13 0
012394	—	Shuttle Driver	—	3 0
012444	371	" " " " 012394, with two 462C	—	3 0
462C	—	" " " " Set Screw	—	1
02049	—	" " " " Pin	59 15 K	½
91983	375	Shuttle Cover	46B	2 0
91983B	375	" " " "	46B	2 0
91984	—	" " " " 91983, with 91947 and two 662C	46C	2 8
91984B	—	" " " " 91983B, with 91947 and two 662C	46C	2 8
278B	379	" " " " Thumb Screw	—	5
278D	379	" " " " " "	—	5
91946	—	" " " " Stop Pin	47	2
91946B	—	" " " " " "	47	2
91947	371	" " " " Thread Retainer	48	6
662C	379	" " " " " " Screw	—	1

No.	Plate.		Old No.	Price.
91948	368	Shuttle Shaft	49	2 0
91949	371	" " and Feeding Disc Support	50	10 0
91949B	371	" " " " " " " "	50	10 0
91950	370	" " Feed Roll Gear	51	2 0
190D	379	" " " " " " Screw (2)	—	1½
91951	374	Shuttle Pinion, with two 237C	52	3 0
237C	379	" " " " Set Screw	—	1
91952	—	" " " " Case Side (Right)	—	—
91953	—	" " " " " (Left)	—	—
145D	—	" " " " " " Screw	—	2
91954	—	" " " " Cap	54	6
329D	379	" " " " " " Screw	—	1
91955	374	" " " " complete, Nos. 91952 to 91954, two 145D, and four 329D	53	4 6
91985	373	Shuttle Pinion "Rack" Gear	55	3 6
44D	379	" " " " Hinge Screw	—	5
91956	373	Shuttle Lever, with 1816	56	2 6
SS 6D	379	" " " " Hinge Screw	—	4
1816	379	" " " " Roller and Stud	—	10
91957	373	Shuttle Lever Cam	57	5 0
152C	379	" " " " Set Screw	—	1½
09874	—	Spool Pin	—	3½
09875	—	" " Bracket	—	4
09598	369	" " " " 09875, with 09874	—	7½
—	—	" " " " Wood Screw (2), 77, No. 10, per doz.	—	—
413	379	Tension Screw Stud	—	5
1560B	379	" " " " Regulating Thumb Nut	—	2
1560P	379	" " " " " " " "	—	2
170B	379	" " " " " " " " Screwed Thread Pin	—	2
170B	379	" " " " " " " " " "	—	2
02102	369	Tension Disc	88/15 K	2½
02103	369	" Spring	89 ..	1½
84113	—	" Washer (Leather)	151 C.F.	½
91986	376	Thread Take-up Cam, with 448C, 1293C, and 1813	59A	4 0
1813	—	" " " " Roller and Stud	—	10
448C	—	" " " " Set Screw	—	1½
1293C	—	" " " " Timing Screw	—	2½
80125	374	Thread Take-up Lever, with 1822	82 15 K	2 0
80125B	374	" " " " " "	80 15 K	2 0
4822	379	" " " " Roller and Stud	—	10
79C	379	" " " " Hinge Screw	—	3

From the library of: Diamond Needle Corp

16 Nos. 46 K 13 and 46 K 14 Machines Parts.

No.	Plate.		Old No.	Price.
02829	373	Thread Take-up Spring	---	1½
90661	369	" " " Regulator	950/15 K	2
233D	379	" " " Screw	---	1
91959	370	" " " Staple	58	1
91959B	370	" " " " "	58	1
08908	---	Wrench for 1519	99/16 K	4
04347	---	" " for 1513	100A/16	7½

BOBBIN WINDER

FOR

Nos. 46 K 10 to 46 K 14 MACHINES.

ACCESSORIES.

ACCESSORIES supplied with Nos. 46 K 10 to 46 K 14 Machines.

No.	Plate.		Old No.	Price.
02996	371	Shuttle Bobbins (5)	---	2½
91987	---	Machine Button	61	4
---	---	" " Screw (Wood), 1½", No. 12, R.H.B. per doz.	---	---
84113	---	" " Washer (Leather)	151 C.F.	½
---	---	2 Needles, size 0	---	---
---	---	3 " " ½	---	---
---	---	2 " " 1	---	---
---	---	3 " " 2	---	---
---	---	2 " " B	---	---
026460	377	Oiler, with 026462	622 A.S.A.	2½
85318	377	Screw Driver (Machine)	167	2
026485	---	" " (Shuttle Tension)	---	2½
86163	377	Scissors (1 pair)	780 A.S.A.	1 0
86125	377	Tweezers (1 pair)	745	6
---	---	Instruction Book	---	---
09598	369	Spool Pin Bracket, 09875, with 09874	---	7½
---	---	" " " Screw (Wood), 7/8", No. 10 per doz.	---	---

No.	Plate.		Old No.	Price.
91988	---	Bobbin Winder Bracket	350 B.W.	6
91989	---	" " Frame	351 "	10
08623	---	" " Hinge Pin	99/16 K	1
91990	378	" " Spring	387 B.W.	6
---	---	" " Wood Screw, 7/8", No. 11, R.H.B. per doz.	---	---
91991	---	" " Spindle	388 B.W.	6
08371	---	" " Pulley	41 "	4
02460	---	" " Rubber Ring	11 "	1
91992	378	Bobbin Winder, complete, Nos. 02460, 08371, 08623, 91988 to 91991, and Wood Screw, 7/8", No. 11, R.H.B.	384 "	3 0

From the library of the National Needle Strip

STANDS AND STAND PARTS.

KNEE LIFTER PARTS

FOR

Nos. 46 K 10 to 46 K 14 MACHINES.

KNEE LIFTER PARTS

For Nos. 46K13 and 46K14 Machines.

No.	Plate.		Old No.	Price.
92008	753	Bell Crank Lifting Lever	—	1 0
92009	—	" " " " 92008 with 06337	—	1 10
06337	753	" " " " Bracket with two 356c	265 P.T.F.	10
356c	753	" " " " " Set Screw	—	3
91893	—	Drip Pan	—	10
—	—	" " Wood Screws (4), 1/2" No. 5, ... per doz.	—	—
02767	753	Knee Plate with 356c	266 P.T.F.	9
356c	753	" " Set Screw	—	3
92010	753	" " Arm	—	10
02766	753	" " " Bracket with 356c	268 P.T.F.	7 1/2
356c	753	" " " " " Set Screw	—	3
91999	753	Rock Shaft	—	8
92011	753	" " 91999 with 02766, 02767, 02770, 92009 and 92010	—	4 6
02770	753	" " Stop Dog with 356c	451 P.T.F.	6
356c	753	" " " " Set Screw	—	3
82479	753	" " Bracket	440 P.T.F.	4
—	—	" " " " Screw, Wood (4), 1" No. 10, per doz.	—	—
92012	—	Knee Lifter, complete, Nos. 91893, 92011, two 82479, four Wood Screws, 1/2" No. 5, and four Wood Screws, 1" No. 10	—	6 0

superadded 1906.

STAND No. 82827.

Nos. 46 K 10 to 46 K 14 MACHINES STAND, with 10" Heavy Band Wheel.

This Stand is for use only when Machines are fitted with Knee Lifter.

No.	Plate.		Old No.	Price.
82820	—	Band Wheel, 10" (Heavy), with 02117 and 025010	19 T.M.S.	3 9
025010	—	" " " Crank	2A ..	7 1/2
02117	—	" " " Pin	—	1/2
297c	153	" " " Screw Centre	—	5
1507E	153	" " " " " Nut	—	2 1/2
82821	—	Belt, size 3/16", length 45 1/2", with 025127	R.S. T.M.S.	10
025127	—	" " Hook	—	1/2
82823	—	Brace, with three each 297c and 1507E	9R ..	5 0
534E	—	" Bolt, with 1510E	—	1 1/2
1510E	153	" " Nut	—	1
82824	—	Dress Guard, with 504E	12G T.M.S.	1 6
504E	—	" " Bolt, with 1510E	—	1 1/2
1510E	153	" " " Nut	—	1
82825	—	Leg	14 R T.M.S.	7 6
025074	—	Pitman (Adjustable), with two each 558E, 1570E, 025075 and 025123	19 ..	1 0
025123	—	" Adjusting Block	20 ..	1
558E	153	" " Screw	—	1 1/2
1570E	153	" " " Nut	—	1
025075	153	" " " Washer	21 T.M.S.	1/2
82826	—	Treadle, with 07958 and 011742	22R ..	5 0
011742	153	" Pitman Washer	21 ..	1/2
07958	153	" " " Pin	25 ..	1/2
297c	153	" " " Screw Centre	—	5
1507E	153	" " " " Nut	—	2 1/2
82883	—	Wrench for 1507 and 1510	—	5
—	—	Wood Screw, 1", No. 12 (for fixing table to stand), per doz.	—	—
82827	380	Stand, complete, Nos. 025074, 82820, 82821, 82823, 82824, 82826, 82883, two 82825, four 534E, and four Wood Screws, 1", No. 12	230 T.M.S.	—

From the Library of: Diamond Needle Corp.

to be added 1906

STAND No. 82837.

Nos. 46 K 13 and 46 K 14 MACHINES STAND, with 10' Heavy Band Wheel, and fitted with Foot Lifter.

No.	Plate.	Description	Old No.	Price.
82820	—	Band Wheel, 10" (Heavy), with 02117 and 025010	7R T.M.S.	3 9
025010	—	" " Crank	2A "	7 1/2
02117	—	" " " Pin	—	1/2
297c	153	" " " Screw Centre	—	5
1507E	153	" " " " Nut	—	2 1/2
82821	—	Belt, size 3/8", length 45 1/2", with 025127	B.S.T.M.S.	10
025127	—	" Hook	—	1/2
82823	—	Brace, with three each 297c and 1507E	9R T.M.S.	5 0
534E	—	" Bolt, with 1510E	—	1 1/2
1510E	153	" " Nut	—	1
82824	—	Dress Guard, with 504E	12G T.M.S.	1 6
504E	—	" " Bolt, with 1510E	—	1 1/2
1510E	153	" " " Nut	—	1
82825	—	Leg	18R T.M.S.	7 6
025074	—	Pitman (Adjustable), with two each 558E, 1570E, 025075, and 025123	19 "	1 0
025123	—	" Adjusting Block	20 "	1
558E	153	" " Screw	—	1 1/2
1570E	153	" " " Nut	—	1
025175	153	" " " Washer	21 T.M.S.	1/2
82829	—	Treadle, with 07958 and 011742	22W "	5 6
011742	153	" Pitman Washer	21 "	1/2
07958	153	" " " Pin	25 "	1/2
297c	153	" " " Screw Centre	—	5
1507E	153	" " " " Nut	—	2 1/2
82830	—	Foot Pedal	88 T.M.S.	2 9
82831	—	" " Collar, with two 448c	89 "	6
448c	—	" " " Set Screw	—	1 1/2
82832	—	" " Pitman Rod (25" long, Straight), with 08554 and 82833	90 T.M.S.	1 3
82833	—	" " " " Washer	11 "	1/2
08554	—	" " " " Pin	8/29 K	1
82835	—	" " " " Collar, with 180c	91 T.M.S.	4
180c	—	" " " " Set Screw	—	1 1/2
82836	—	" " " " Bracket	92 T.M.S.	3
—	—	" " " " " Wood Sc., 3/4", No. 9, per doz.	—	—
82883	—	Wrench for 1507 and 1510	—	5
—	—	Wood Screw, 1", No. 12 (for fixing Table to Stand), per doz.	—	—
82837	150	Stand, complete, Nos. 025074, 82820, 82821, 82823, 82824, 82829 to 82832, 82835, 82836, 82883, two 82825, four 534E, two Wood Screws, 3/4", No. 9, and four Wood Screws, 1", No. 12	270 T.M.S.	—

*obsolete
18 82837*

STAND No. 82844.

Nos. 46 K 13 and 46 K 14 MACHINES STAND, with 10' Heavy Band Wheel.

Ball-Bearing Crank Shaft, and fitted with Foot Lifter.

No.	Plate.	Description	Old No.	Price.
82838	—	Band Wheel, 10" (Heavy), with 972c	6R T.M.S.	3 9
972c	153	" " Set Screw	—	1
025352	—	" " Crank	2G T.M.S.	1 0
025303	153	" " " Ball, size 1/2"	62 "	1 1/2
025353	153	" " " " Case	61 "	7 1/2
025354	—	" " " " " (025353) with 025306 and six 025303	60 "	1 0
354c	153	" " " " " Set Screw	—	3
025306	153	" " " " Safety Washer	63 T.M.S.	1/2
025355	153	" " " " Screw Bearing Ball Case	65 "	10
025356	—	" " " " " " " (025355), with 025306 and six 025303	61 "	1 3
354c	153	" " " " " Screw Bearing Ball Case Set Screw	—	3
82821	—	Belt, size 3/8", length 45 1/2", with 025127	B.S.T.M.S.	10
025127	—	" Hook	—	1/2
82839	—	Brace, with 025354, 025356, two each 297c, 354c, and 1507E	9AAA T.M.S.	9 4
534E	—	" Bolt, with 1510E	—	1 1/2
1510E	153	" " " Nut	—	1
82840	—	Dress Guard, with 504E	12K T.M.S.	1 6
504E	—	" " Bolt, with 1510E	—	1 1/2
1510E	153	" " " " Nut	—	1
82825	—	Leg	18R T.M.S.	7 6
025074	—	Pitman (Adjustable), with two each 558E, 1570E, 025075, and 025123	19 "	1 0
025123	—	" Adjusting Block	20 "	1
558E	153	" " " Screw	—	1 1/2
1570E	153	" " " " Nut	—	1
025075	153	" " " " Washer	21 T.M.S.	1/2

From the library of Raymond Neale Corp

No.	Plate.		Old No.	Price.
82841	—	Treadle, with 07958 and 011742	22x T.M.S.	5 6
011742	153	" Pitman Washer	21 "	1/2
07958	153	" " " Pin	25 "	1/2
297c	153	" Screw Centre	—	5
1507E	153	" " " Nut	—	2 1/2
82842	—	Foot Pedal	93 T.M.S.	2 9
82831	—	" " Collar, with two 448c	59 "	6
448c	—	" " " Set Screw	—	1 1/2
82843	—	" " Pitman Rod (25" long, bent), with 08554 and 82833	91 T.M.S.	1 3
82833	—	" " " " Washer	11 "	1/2
08554	—	" " " " " Pin	8/29 K	1
82835	—	" " " " Collar, with 180c	91 T.M.S.	4
180c	—	" " " " " Set Screw	—	1 1/2
82836	—	" " " " Bracket	92 T.M.S.	3
—	—	" " " " " Wood Screw, 3/4", No. 9, per doz.	—	—
82883	—	Wrench for 972, 1507 and 1510	—	5
—	—	Wood Screw, 1", No. 12 (for fixing Table to Stand) per doz.	—	—
82844	150	Stand, complete, Nos. 025074, 025352, 82821, 82831, 82835, 82836, 82838 to 82843, 82883, two 82825, four 534E, two Wood Screws, 3/4", No. 9, and four Wood Screws, 1", No. 12	271 T.M.S.	—

*obsolete
use 874*

NUMERICAL LIST OF PARTS.

SCREWS.

No.	Plate.		Price.
44b	379	Shuttle Pinion Rack Hinge Screw for 46 K 10 to 46 K 14 Mchs.	5
71d	379	Feed Regulator Hinge Screw for 46 K 10 to 46 K 14 Mchs.	4
76d	379	Feed Friction Wheel Driver Hinge Screw for 46 K 10 to 46 K 14 Mchs.	3
79c	379	Thread Take-up Lever Hinge Sc. for 46 K 10 to 46 K 14 Mchs.	3
124c	379	Feed Roll Rocking Frame Spring Adjusting Screw for 46 K 10 to 46 K 14 Mchs.	4
115d	—	Shuttle Pinion Case Side Screw for 91955	2
152c	379	Shuttle Lever Cam Set Screw for 46 K 10 to 46 K 14 Mchs.	1 1/2
150b	379	Face Plate Screw for 46 K 11, 46 K 12, and 46 K 14 Mchs.	1 1/2
159d	379	" " " " 46 K 10 and 46 K 13 Mchs.	1 1/2
161b	379	Shuttle Race Cap Binding Screw for 46 K 11, 46 K 12, and 46 K 14 Mchs.	2
164d	379	" " " " " " for 46 K 10 & 46 K 13 Mchs.	2
164d	379	Feed Roll Rocking Frame Lever Sc. for 46 K 10 to 46 K 14 Mchs.	2
170b	379	Feed Friction Wheel Driver Spring Screw Stud for 46 K 11, 46 K 12, and 46 K 14 Mchs.	2
170b	379	Tension Screw Stud Screwed Thread Pin for 91908	2
170d	379	Feed Friction Wheel Driver Spring Screw Stud for 46 K 10 & 46 K 13 Mchs.	2
170d	379	Tension Screw Stud Screwed Thread Pin for 91908	2
171d	—	Overhanging Arm Thread Take-up Binding Screw for 91982	1 1/2
178c	379	Arm Shaft Bevel Gear Set Screw for 92855	1 1/2
178c	379	Balance Wheel Shaft Bevel Gear Set Screw for 92855	1 1/2
180c	—	Foot Pedal Pitman Rod Collar Set Screw for 82835	1 1/2
190d	379	Shuttle Shaft Feed Roll Gear Screw for 46 K 10 to 46 K 14 Mchs.	1 1/2
193c	379	Feed Friction Wheel Retaining Clutch Spring Screw for 46 K 10 to 46 K 14 Mchs.	1 1/2
193d	379	Needle Bar Overhanging Needle Arm Clamp Screw for 91931	1 1/2
208d	379	" " " " " Clamp Screw for 91932 and 91932R	1
211b	—	Shuttle Race Cap Screw for 91944b and 91966	1
211d	—	" " " " " 91944	1

No.	Plate.		Price.
233B	379	Shuttle Race Cap Throat Plate Screw for 91944B and 91966	1
233B	379	" " Needle Plate Screw for 91966	1
233D	379	" " Cap Throat Plate Screw for 91944	1
233D	379	Thread Take-up Spring Regulator Screw for 91908 & 91908B	1
237C	379	Shuttle Pinion Set Screw for 91951	1
248A	379	Clamp Stop Motion Clamp Stop Screw for 02019 & 02019B	1
256B	379	" " " " Screw for 02019B	1 3
256D	379	" " " " " for 02019	1 3
278B	379	Shuttle Cover Thumb Screw for 46 K 11, 46 K 12, and 46 K 14 Mchs.	5
278D	379	" " " " for 46 K 10 & 46 K 13 Mchs.	5
283B	—	Feed Regulator Thumb Screw for 46 K 14 Mch.	5
283D	—	" " " " for 46 K 13 Mch.	5
286D	379	Arm Side Cover Thumb Screw for 46 K 10 to 46 K 14 Mchs.	5
297C	153	Band Wheel Crank Screw Centre for 82823	5
297C	153	Treadle Screw Centre for 82823 and 82839	5
310C	379	Feed Roll Rocking Frame Screw Centre for 46 K 10 to 46 K 14 Mchs.	4
329D	379	Shuttle Pinion Case Cap Screw for 91955	1
335B	379	Overhanging Arm Thread Guide Screw for 46 K 11, 46 K 12, and 46 K 14 Mchs.	1
335D	379	" " " " " for 46 K 10 & 46 K 13 Mchs.	1
354C	153	Band Wheel Crank Ball Case Set Screw for 82839	3
354C	153	" " " Screw Bearing Ball Case Set Sc. for 82839	3
356C	—	Knee Lifter Bell Crank Lifting Lever Bracket Set Sc. for 06337	3
356C	—	" " Knee Plate Set Screw for 02767	3
356C	—	" " " " Arm Bracket Set Screw for 02766	3
413	379	Tension Screw Stud for 91908 and 91908B	5
423C	379	Needle Bar Gib Adjusting Screw for 46 K 10 to 46 K 14 Mchs.	2½
448C	—	Foot Pedal Collar Set Screw for 82831	1½
448C	—	Thread Take-up Cam Set Screw for 91958, 91970, and 91986	1½
449C	379	Feed Roll Shaft Gear Set Screw for 91927	1
449C	379	" Cam Set Screw for 91909 and 91973	1
453C	379	Arm Shaft Collar Set Screw for 91903 and 91971	1
454C	—	Feed Friction Wheel Set Screw for 91910	1
454C	—	" Roll Set Screw for 91920 and 91921	1
462C	—	Clamp Stop Motion Flanged Bushing Set Screw for 015152	1
462C	—	Shuttle Driver Set Screw for 02441, 012444, and 91968	1
504E	—	Dress Guard Bolt, with 1510E, for 82824 and 82840	1½
534E	—	Brace Bolt, with 1510E, for 82827, 82837, and 82844	1½
558E	153	Pitman Adjusting Screw for 025074	1½
570C	—	Needle Bar Connecting Link Hinge Screw for 46 K 10 to 46 K 12 Mchs. (obsolete)	4
591	379	Shuttle Tension Regulating Screw for 015142 and 91962	1
592E	379	" Bobbin Case Latch Stop Screw for 015142 and 91962	1
660D	—	Knee Lifter Feed Roll Lever Hinge Screw for 92001	6
662C	379	Shuttle Cover Thread Retainer Screw for 91981, 91984E, 92002, and 92002B	1
662D	379	" Race Loop Spreader Screw for 91944, 91944B, & 91966	1

No.	Plate.		Price.
761B	379	Overhanging Arm Thread Roller Support Screw for 46 K 11, 46 K 12, & 46 K 14 Mchs. (obsolete)	3
764D	379	" " " Roller Support Screw for 46 K 10 and 46 K 13 Mchs. (obsolete)	3
794C	—	Needle Bar Connecting Link Adjusting Screw for 02819 (obsolete)	2½
972C	153	Band Wheel Set Screw for 82838	1
1293C	—	Thread Take-up Cam Timing Screw for 91986	2½
SS 60	379	Shuttle Lever Hinge Screw for 46 K 10 to 46 K 14 Mchs.	4
SS 18D	379	Feed Fulcrum Lever Hinge Screw for 46K10 to 46K14 Mchs.	3
SS 41C	—	Needle Bar Cam Binding Screw for 46K13 and 46K14 Mchs.	1
SS 45B	379	Arm Screw for 46 K 10 to 46 K 14 Mchs.	1½
SS 45D	379	Pillar Screw for 46 K 10 to 46 K 14 Mchs.	1½
SS 65D	379	Needle Bar Overhanging Needle Arm Screw for 46 K 10 to 46 K 14 Mchs.	1
SS 65D	379	Overhanging Arm Screw for 46 K 10 to 46 K 14 Mchs.	1
SS 81D	379	Face Plate Thread Guide (Screwed) for 91908B	3
SS 81D	379	" " " " " for 91908	3
SS 109B	379	Feed Regulator Thumb Screw for 46 K 11 and 46 K 12 Mchs. (obsolete)	4
SS 109D	379	" " " " for 46 K 10 Mch. (")	4
SS 130D	379	Balance Wheel Handle Screw for 46 K 10 to 46 K 14 Mchs.	3

NUTS.

1507E	153	Band Wheel Crank Screw Centre Nut for 297C	2½
1507E	153	Treadle Screw Centre Nut for 297C	2½
1510E	153	Brace Bolt Nut for 534E	1
1510E	153	Dress Guard Bolt Nut for 504E	1
1516E	379	Feed Roll Rocking Frame Screw Centre Nut for 310C	2½
1518C	379	" " " " Spring Adjusting Screw Nut for 124C	2
1520E	379	Needle Bar Gib Adjusting Screw Nut for 423C	1½
1520E	379	" " Connecting Link Hinge Screw Nut for 570C	1½
1528E	—	Balance Wheel Handle Screw Nut for SS 130D	1½
1560B	379	Tension Screw Stud Regulating Thumb Nut for 413	2
1560D	379	" " " " " " " 413	2
1570E	153	Pitman Adjusting Screw Nut for 558E	1

ROLLERS.

1813	—	Thread Take-up Cam Roller and Stud for 91986	10
1816	379	Shuttle Lever Roller and Stud for 91956	10
1822	379	Thread Take-up Lever Roller and Stud for 80125 and 80125B	10
1813	—	Thread Take-up Lever Roller and Stud for 92014 and 92014B	10

PARTS.

No.	Plate.	Old No.	Price.
02019	—		
		Clamp Stop Motion, complete, Nos. 248A, 256B, 02020, and 015152, for 46 K 10 and 46 K 13 Mchs.	9A/15 K 3 0
02019B	—	" " " " complete, Nos. 248A, 256B, 02020, and 015152, for 46 K 11, 46 K 12, and 46 K 14 Mchs.	9A/ " 3 0
02020	370	" " " " Clamp Washer for 02019 and 02019B	9B/ " 2 1/2
02021	373	" " " " Flanged Bushing for 015152	9B/ " 1 5
02049	—	Balance Wheel Shaft Bevel Gear Pin	50/ " 1 1/2
02049	—	Shuttle Driver Pin	50/ " 1 1/2
02102	369	Tension Disc for 91908 and 91908B	88/ " 2 1/2
02103	369	" Spring for 91908 and 91908B	89/ " 1 1/2
02117	—	Thread Take-up Cam Pin	— 1 1/2
02117	—	Band Wheel Crank Pin	— 1 1/2
02441	—	Shuttle Driver, 02542A, with two 462c, for 46 K 10 and 46 K 11 Mchs. (Obsolete)	71 1/2/15 K 3 0
02460	—	Bobbin Winder Spindle Pulley Rubber Ring for 91992	11 B.W. 1
02515	—	Shuttle Body for 015100 (Obsolete)	— 3 0
02523	—	" Bobbin Case Position Finger Rivet for 015142... per 100	— 1 0
02542A	—	" Driver for 02441 (Obsolete)	— 3 0
02766	378	Knee Plate Arm Bracket, with 356c for 92000	268 P.T.F. 7 1/2
356c	—	Knee Lifter Rock Shaft Stop Dog Set Screw for 02770	— 3
02770	—	" " " " " " with 356c for 02770	92011 451 P.T.F. 6 1 1/2
02973	—	Thread Take-up Spring for 91908 and 91908B	— 5
02973	—	Shuttle Bobbin Case Latch Lever for 015141	— 5
02974	—	" " " " " Fulcrum Pin per 100	— 5
02975	—	" " " " " Spring for 015142 & 91962	— 1
02996	371	" " " " " for 015100, 90697, and 91960	— 2 1/2
04347	—	Wrench for 1513	100A/16 K 7 1/2
04820	—	Shuttle Bobbin Case Position Finger for 91962 (Obsolete)	— 5
06337	378	Knee Lifter Bell Crank Lifting Lever Bracket, with two 356c, for 91994	265 P.T.F. 10
07958	153	Treadle Pitman Washer Pin	25 T.M.S. 1 1/2
08371	—	Bobbin Winder Spindle Pulley for 91992	13 B.W. 4
08554	—	Foot Pedal Pitman Rod Washer Pin	8/29 K 1
08623	—	Bobbin Winder Frame Hinge Pin	99/ " 1
08908	—	Wrench for 1519	99/16 K 4
09598	369	Spool Pin Bracket 09875, with 09874, for 46 K 10 to 46 K 14 Mchs.	— 7 1/2
09874	—	Spool Pin for 09598	— 3 1/2
09875	—	" " Bracket for 09598	— 4

02019

Old No. Price.

No.	Plate.	Old No.	Price.
010094	375	Overhanging Arm Thread Take-up Roller for 91982	— 1 1/2
010114	375	" " " " " Pin	— 1 1/2
011742	153	Treadle Pitman Washer for 82826, 82829, and 82841	24 T.M.S. 3 0
012393	371	Shuttle Body for 90697	— 3 0
012394	—	" Driver for 012444	— 3 0
012441	371	" " 012394, with two 462c, for 46 K 13 and 46 K 14 Mchs.	— 3 0
015027	—	" Bobbin Case Position Finger for 015142	— 2 1/2
015098	—	" Tension Spring for 015142 and 91962	— 5
015100	—	Shuttle, 1 1/4" diam. (02515), with 02996 and 015142, for 46 K 10 and 46 K 11 Mchs. (Obsolete)	— 6 3
015140	—	" Bobbin Case Latch for 015141	— 5
015141	—	" " " Hinge, complete, Nos. 02973, 02974, and 015140, for 015142 and 91962	— 1 0
015142	371	" " " complete, Nos. 591, 592c, 02523, 02975, 015027, 015098, and 015141, for 015100 and 90697	— 3 0
015152	—	Clamp Stop Motion Flanged Bushing 02021, with two 462c, for 02019 and 02019B	— 1 5
025010	—	Band Wheel Crank for 82820	2A T.M.S. 7 1/2
025074	—	Pitman (Adjustable), with two each 558E, 1570E, 025075, and 025123, for 82827, 82837, and 82844	19 " 1 0
025075	153	" Adjusting Screw Washer for 025074	21 " 1 1/2
025123	—	Pitman Adjusting Block for 025074	20 " 1
025127	—	Belt Hook	— 1 1/2
025303	153	Band Wheel Crank Ball, size 1/2", for 025354 and 025356	62 T.M.S. 1 1/2
025306	153	" " " " Safety Washer for 025354 & 025356	63 " 1 1/2
025352	—	Band Wheel Crank for 82844	26 " 1 0
025353	153	" " " Ball Case for 82844	61 " 7 1/2
025354	—	" " " " " 025353, with 025306 and six 025303, for 82839	60 " 1 0
025355	153	" " " " " " 025355, with 025306 and six 025303, for 82839	65 " 10
025356	—	" " " " " " 025355, with 025306 and six 025303, for 82839 (Accessories)	64 " 1 3
026460	377	Oiler, with 026462	472A & 8A 2 1/2
026485	—	Screw Driver (Shuttle Tension)	— 2 1/2
80095	—	Feed Friction Wheel Driver Collar for 91911	8A/15K W.F. 2
80096	—	" " " " " Rivet for 91911	8B " 1 1/2
80125	374	Thread Take-up Lever, with 1822, for 46 K 10 & 46 K 13 Mchs.	90/15 K 2 0
80125B	374	" " " " " for 46 K 11, 46 K 12, and 46 K 14 Mchs.	90/ " 2 0
80204	378	Knee Lifter Knee Plate Arm for 92000	267 P.T.F. 5
80209	378	" " Rock Shaft Bracket for 92001	270A " 4
80270	—	Clamp Stop Motion Flanged Bushing Pin	9c/15 K 1 1/2
82820	—	Band Wheel, 10" (Heavy), with 02117 and 025010, for 82827 and 82837	1R T.M.S. 3 9
82821	—	Belt, size 3/8", length 45 1/2", with 025127	B.38 " 10
82823	—	Brace, with three each 297c and 1507E, for 82827 and 82837	9R " 5 0
82824	—	Dress Guard, with 504E, for 82827 and 82837	12a " 1 6
82825	—	Leg for 82827, 82837, and 82844	18R " 7 6

Library of Diamond Needles Corp.

No.	Plate.	Old No.	Price.
82826	---	Treadle, with 07958 and 011742, or 82827	22R T.M.S. 5 0
82827	380	Stand, complete, Nos. 025074, 82820, 82821, 82823, 82824, 82826, 82883, 169, 82825, four 534E, and four Wood Screws, 1", No. 12, for 46 K 10 to 46 K 14 Mchs.	250 .. —
82829	---	Treadle, with 07958 and 011742, for 82837	25W .. 5 6
82830	---	Foot Pedal for 82837	88 .. 2 9
82831	---	" " Collar, with two 448c, for 82837 and 82841	89 .. 6
82832	---	" " Pitman Rod (25" long, straight), with 08554 and 82833, for 82837	90 .. 1 3
82833	---	" " " " Washer for 82832 and 82843	11 .. 1/2
82835	---	" " " " Collar, with 480c, for 82837 & 82841	91 .. 4
82836	---	" " " " Bracket for 82837 and 82841	92 .. 3
82837	150	Stand, complete, Nos. 025074, 82820, 82821, 82823, 82824, 82829 to 82832, 82835, 82836, 82883, two 82825, four 534E, two Wood Screws, 1", No. 9, and four Wood Screws, 1/2", No. 12, for 46 K 13 and 46 K 14 Mchs.	270 .. —
82838	---	Band Wheel, 10" (Heavy), with 972c, for 82841	16K .. 3 9
82839	---	Brace, with 025354, 025356, two each 297c, 354c, and 1507E, for 82841	9AAA .. 9 4
82840	---	Dress Guard, with 504E, for 82841	12K .. 1 6
82841	---	Treadle, with 07958 and 011742, for 82841	228 .. 5 6
82842	---	Foot Pedal for 82841	93 .. 2 9
82843	---	" " Pitman Rod (25" long, bent), with 08554 & 82833, for 82841	91 .. 1 3
82844	150	Stand, complete, Nos. 025074, 025352, 82821, 82831, 82835, 82836, 82838 to 82843, 82883, two 82825, four 534E, two Wood Screws, 1", No. 9, and four Wood Screws, 1/2", No. 12, for 46 K 13 and 46 K 14 Mchs.	271 .. —
82883	---	Wrench for 972, 1507 and 1510	---
84113	---	Machine Button Screw Washer (Leather) (Accessories)	154 C.F. 1/2
84113	---	Tension Washer (Leather) for 91908 and 91908B	171 .. 1/2
85318	377	Screw Driver (Machine) (Accessories)	167 A.&A. 2
86125	377	Tweezers (")	719 .. 6
86163	377	Scissors (")	780 .. 1 0
90561	369	Thread Take-up Spring Regulator for 91908 and 91908B	930/15K 2
90697	---	Shuttle (Solid), 1 1/8" diam., 012393, with 02996 and 015142, for 46 K 13 and 46 K 14 Mchs.	235/33 K 7 0
82479	753	" " " " Bracket for 92012	440 .. 4
91893	---	Drip Pan for 92012	---
91901	368	" Side Cover for 46 K 10 to 46 K 14 Mchs.	2 .. 10
91902	368	Arm Shaft (Upright) for 46 K 10 to 46 K 14 Mchs.	3 .. 2 6
91903	---	" " Collar, with two 453c, for 46 K 10 to 46 K 12 Mchs. (Obsolete)	77/12 K 3
91904	---	Balance Wheel (3 1/2" hub), for 46 K 10 Mch. (")	8 .. 4 6
91904B	---	" " (3 1/2" "), for 46K11 & 46K12 Mchs. (")	8A .. 5 0
91905	369	" " Shaft for 46 K 10 to 46 K 11 Mchs.	5 .. 1 6
91906	---	Bed for 46 K 10 to 46 K 14 Mchs.	7 .. —
91907	368	Face Plate for 91908 and 91908B	9 .. 3 0

No.	Plate.	Old No.	Price.
91908	---	Face Plate, complete, Nos. 170D, 233D, 413, 558 1/2D, 1560D, 02103, 02829, 84113, 90661, 91907, 91959, and two 02102, for 46 K 10 & 46 K 13 Mchs.	---
91908B	---	Face Plate, complete, Nos. 170B, 233D, 413, 558 1/2B, 1560B, 02103, 02829, 84113, 90661, 91907, 91959B, and two 02102, for 46 K 11, 46 K 12, and 46 K 14 Mchs.	---
91909	369	Feed Cam, with 449c, for 46 K 10 to 46 K 12 Mchs. (Obsolete)	10 .. 2 6
91910	369	Feed Friction Wheel, with two 454c, for 46K10 to 46K14 Mchs.	13 .. 3 6
91911	374	" " " " Driver, with 91912, two each 80095 and 80096, for 46 K 10 to 46 K 14 Mchs.	11 .. 2 0
91912	---	" " " " Driver Pin	15 .. 4
91913	373	" " " " Spring for 46K10 to 46K14 Mchs.	16 .. 2
91914	370	" " " " Retaining Clutch, with 91915 for 46 K 10 to 46 K 14 Mchs.	17 .. 1 3
91915	369	" " " " " Spring Staple for 91914	18 .. 1
91916	373	" " " " " " for 46 K 10 to 46 K 14 Mchs.	19 .. 2
91917	369	" " " " " Stud for 46 K 10 to 46 K 14 Mchs.	20 .. 6
91918	369	Feed Fulcrum Lever for 46 K 10 to 46 K 12 Mchs. (Obsolete)	11 .. 2 6
91919	374	" Regulator for 46 K 10 to 46 K 14 Mchs.	12 .. 2 0
91920	372	Feed Roll (Plain), with 454c, for 46 K 10 to 46 K 14 Mchs.	21 .. 6 0
91921	370	" " (Grooved), with 454c, for 46 K 10 to 46 K 14 Mchs.	21A .. 7 0
91922	---	" " Rocking Frame for 46 K 10 to 46 K 12 Mchs. (Obsolete)	23 .. 7 0
91923	368	" " " " Lever for 46K10 Mch. (")	25 .. 1 6
91923B	368	" " " " " " " 46 K 11 and 46 K 12 Mchs. (Obsolete)	26 .. 1 6
91924	373	" " " " " Spring for 46 K 10 to 46 K 14 Mchs.	27 .. 2
91925	372	" " " " " " Pin	28 .. 2
91925	370	" " Shaft for 46 K 10 to 46 K 14 Mchs.	24 .. 2 0
91927	370	" " " " Gear, with two 449c, for 46K10 to 46K14 Mchs.	25 .. 2 6
91928	368	Needle Bar for 46 K 10 to 46 K 12 Mchs. (Obsolete)	29 .. 2 6
91929	370	" " " " " " " with two 91930, for 46 K 10 to 46 K 14 Mchs.	30 .. 1 0
91930	---	" " " " " Position Pin	31 .. 2
91931	368	Needle Bar Overhanging Needle Arm, with 193D, for 46 K 10 to 46 K 14 Mchs.	32 .. 3 0
91932	370	" " " " " Clamp, with 208D and 91933, for 46 K 10 & 46 K 13 Mchs.	33 .. 2 0
91932B	370	" " " " " Clamp, with 208D and 91933, for 46 K 11, 46 K 12, and 46 K 14 Mchs.	33 .. 2 0
91933	---	" " " " " Needle Clamp Position Pin	34 .. 2
91934	368	Overhanging Arm (Stationary), for 46 K 10 to 46 K 14 Mchs.	38 .. 2 6
91935	373	" " Thread Guide for 46 K 10 and 46 K 13 Mchs. (Obsolete)	39 .. 1
91935B	373	" " " " " " 46 K 11, 46 K 12 and 46K14 Mchs. (Obsolete)	39 .. 1

No.	Plate.		Old No.	Price
91936	370	Overhanging Arm Thread Roller for 46 K 10 and 46 K 13 Mchs. (Obsolete)	39A	1 0
91936B	370	" " " " " 46 K 11, 46 K 12 and 46 K 14 Mchs. (Obsolete)	39A	1 0
91937	370	" " " " Support for 46 K 10 and 46 K 13 Mchs. (Obsolete)	40	1 0
91937B	370	" " " " Support for 46 K 11, 46 K 12 and 46 K 14 Mchs. (Obsolete)	40	1 0
91938	370	" " " Guide Stud for 46 K 10 & 46 K 13 Mchs.	41	6
91938B	370	" " " " " 46 K 11, 46 K 12, and 46 K 14 Mchs.	41	6
91939	—	Pillar for 46 K 10 to 46 K 14 Mchs.	40	—
91940	371	Shuttle Race Body for 91944 and 91944B	42A	7 0
91941	371	" " Cap, with 91946, for 91944	41	2 6
91941B	371	" " " " 91946B, for 91944B and 91966	41	2 6
91942	371	" " " Throat Plate for 91944	45	2 6
91942B	371	" " " " " 91944B	45	2 6
91943	371	" " Loop Spreader for 91944, 91944B, and 91966	43	9
91944	—	Shuttle Race, complete, Nos. 91940 to 91943, two each 211b, 233b, and 662b, for 46 K 10 and 46 K 13 Mchs.	42	13 0
91944B	—	Shuttle Race, complete, Nos. 91940, 91941B, 91942B, 91943, two each 211b, 233b, and 662b, for 46 K 11 and 46 K 14 Mchs.	42	13 0
91945	374	Shuttle Cover for 92002 (Obsolete)	46	2 0
91945B	374	" " " 92002B (")	46	2 0
91946	—	" " Stop Pin (Obsolete)	47	2
91946B	—	" " " " "	47	2
91947	374	" " Thread Retainer for 91984, 91984B, 92002 and 92002B	48	6
91948	368	Shuttle Shaft for 46 K 10, 46 K 11, 46 K 13, & 46 K 14 Mchs.	49	2 0
91949	371	" " and Feeding Disc Support for 46 K 10 and 46 K 13 Mchs.	50	10 0
91949B	371	" " " " " for 46 K 11, 46 K 12, and 46 K 14 Mchs.	50	10 0
91950	370	" " Feed Roll Gear for 46 K 10 to 46 K 14 Mchs.	51	2 0
91951	374	Shuttle Pinion, with two 237c, for 46 K 10 to 46 K 14 Mchs.	52	3 0
91952	—	" " Case Side (Right), for 91955	—	—
91953	—	" " " " (Left), for 91955	—	—
91954	—	" " Cap for 91955	54	6
91955	374	" " " complete, Nos. 91952 to 91954, two 145b, and four 329b, for 46 K 10 to 46 K 14 Mchs.	53	4 6
91956	373	Shuttle Lever, with 1816, for 46 K 10 to 46 K 14 Mchs.	56	2 6
91957	373	" " Cam for 46 K 10 to 46 K 14 Mchs.	57	5 0
91958	374	Thread Take-up Cam, with 448c, for 46 K 10 & 46 K 11 Mchs. (Obsolete)	59	4 0
91959	370	" " Spring Staple for 91908	58	1
91959B	370	" " " " " 91908B	58	1
91960	—	Shuttle (Solid), 1 1/8" diam., 91961, with 02996 and 91962, for 46 K 12 Mch. (Obsolete)	191	7 0

No.	Plate.		Old No.	Price.
91961	372	Shuttle Body for 91960 (Obsolete)	102	3 6
91962	372	" Bobbin Case, complete, Nos. 591, 592B, 02523, 02975, 01820, 015098, and 015141, for 91960 (Obsolete)	103	3 6
91963	372	" Race Body for 91966 (")	105	7 0
91964	372	" " Cap Throat Plate for 91966 (")	106	2 6
91965	372	" " Needle Plate for 91966 (")	107	1 6
91966	—	Shuttle Race, complete, Nos. 91941B, 91943, 91963 to 91965, two each 211b, 662b, and three 233b, for 46 K 12 Mch. (Obsolete)	104	14 6
91967	—	Shuttle Driver for 91968 (")	—	2 6
91968	372	" " 91967, with two 462c, for 46 K 12 Mch. (")	108	2 6
91969	372	Shuttle Shaft for 46 K 12 Mch. (")	109	2 0
91970	372	Thread Take-up Cam, with 448c, for 46 K 12 Mch. (")	110	4 0
91971	373	Arm Shaft Collar, with two 453c, for 46 K 13 & 46 K 14 Mchs.	62	3
91972	—	Balance Wheel (3 1/2" hub), for 46 K 13 Mch.	5B	4 6
91972B	—	" " (3 1/2" "), " 46 K 14 Mch.	5c	5 0
91973	376	Feed Cam, with 449c, for 46 K 13 and 46 K 14 Mchs.	10A	2 6
91974	376	Feed Fulcrum Lever for 46 K 13 and 46 K 14 Mchs.	11A	2 6
91975	368	" Roll Rocking Frame for 46 K 13 and 46 K 14 Mch.	23A	7 0
91976	376	" " " " Lever for 46 K 13 Mch.	26A	1 6
91976B	376	" " " " " 46 K 14 Mch.	26A	1 6
91977	376	Needle Bar for 46 K 13 and 46 K 14 Mchs.	29A	2 6
91978	376	" " Cam for 46 K 13 and 46 K 14 Mchs.	63	2 6
91979	375	Overhanging Arm Thread Guide for 46 K 13 Mch.	39B	1
91979B	375	" " " " " 46 K 14 Mch.	39B	1
91980	375	" " " Take-up, with 010114, for 91982	S.K. 5028	2
91981	375	" " " " Roller Cap for 91982	S.K. 5029	1 1/2
91982	—	" " " " " 91980, with 171b, 010091 and 91981, for 46 K 13 & 46 K 14 Mchs.	S.K. 5030	2 3
91983	375	Shuttle Cover for 91984	46B	2 0
91983B	375	" " " 91984B	46B	2 0
91984	—	" " 91983, with 91947 and two 662c, for 46 K 13 Mch.	46c	2 8
91984B	—	" " 91983B, with 91947 and two 662c, for 46 K 14 Mch.	46c	2 8
91985	373	Shuttle Pinion "Rack" Gear for 46 K 10 to 46 K 14 Mchs.	45	3 6
91986	376	Thread Take-up Cam, with 448c, 1293c, and 1813, for 46 K 13 and 46 K 14 Mchs.	39A	4 0
91987	—	Machine Button (Accessories)	61	4
91988	—	Bobbin Winder Bracket for 91992	289 B.W.	6
91989	—	" " Frame for 91992	385	10
91990	378	" " Spring for 91992	387	6
91991	—	" " Spindle for 91992	388	6
91992	378	" " complete, Nos. 02460, 08371, 08623, 91988 to 91991, and Wood Screw, 1/2", No. 11, R.I.I.B., for 46 K 10 to 46 K 14 Mchs.	384	3 0
91993	378	Bell Crank Lifting Lever for 91994	458 P.T.F.	1 0
91994	—	" " " " 91993, with 06337, for 92000	—	1 10
91995	—	Drip Pan for 92001	B.P. 4661	6

From the library of Diamond Needle Corp

NUMERICAL LIST OF PARTS.

No.	Plate.	Description	Old No.	Price.
91996	378	Knee Lifter Feed Roll Lever, with 91998, for 92001	111 P.T.F.	2 0
91997	378	" " " " " Bracket for 92001	112 "	6
91998	378	" " " " " Chain Link for 91996	113 "	1
91999	378	" " " " " Rock Shaft for 92000	119 "	8
92000	—	" " " " " 91999, with 02766, 02767, 80204, and 91994, for 92001	<i>110</i>	4 3
92001	—	Knee Lifter, complete, Nos. 660D, 91995 to 91997, 92000, two 80209, four Wood Screws, $\frac{1}{2}$ " No. 5, and six Wood Screws, 1" No. 10, for 46 K 19 to 46 K 14 Mchs.	117 P.T.F.	8 6
92002	—	Shuttle Cover, 91945, with 91947 and two 662c for 46 K 10 Meh. (Obsolete)	—	2 8
92002B	—	" " 91945B, with 91947 and two 662c for 46 K 11 and 46 K 12 Meh. (Obsolete)	—	2 8
92854	374	Arm Shaft Bevel Gear for 92855	5/18 K	1 0
92851	374	Balance Wheel Shaft Bevel Gear for 92855	5/16 "	1 0
92855	374	Arm Shaft Bevel Gear, 92854, with two 178c, for 46 K 10 to 46 K 14 Mchs.	5A/ "	1 3
92855	374	Balance Wheel Shaft Bevel Gear, 92854, with two 178c, for 46 K 10 to 46 K 14 Mchs.	5A/ "	1 3
92003	—	Shuttle Pinion Case Side (Right) for 92005	—	—
92004	—	" " " " (Left) for 92005	—	—
92005	375	" " " " complete, Nos. 91954, 92003, 92004, two 145D, and four 329D, for 46 K 13 & 46 K 14 Mchs.	—	4 6
92006	375	Shuttle Pinion "Rack" Gear for 46 K 13 & 46 K 14 Mchs.	—	3 6
92007	375	" Lever, with 1816, for 46 K 13 & 46 K 14 Mchs.	—	2 6
92008	753	Bell Crank Lifting Lever for 92009	—	1 0
92009	—	" " " " 92008 with 06337 for 92011	—	1 10
92010	753	Knee Lifter Knee Plate Arm for 92011	—	10
92011	—	" " Rock Shaft 91999 with 02766, 02767, 02770, 92009 and 92010 for 92012	—	4 6
92012	—	Knee Lifter, complete, Nos. 91998 92011, two 82479, four Wood Screws, $\frac{1}{2}$ " No. 5, and four Wood Screws, 1" No. 10, for 46K13 and 46K14 Machines	—	6 0
92013	—	<i>Robbin Kinder Jr and Angel Corp 9/1/55</i>	—	1
92014	374	Thread Take-up Lever with 1813 for 46K13 Meh	S.K. 7698	2 0
92014b	374	" " " " with 1813 for 46K14 Meh.	S.K. 7698	2 0

From the library of: Diamond Needle Corp